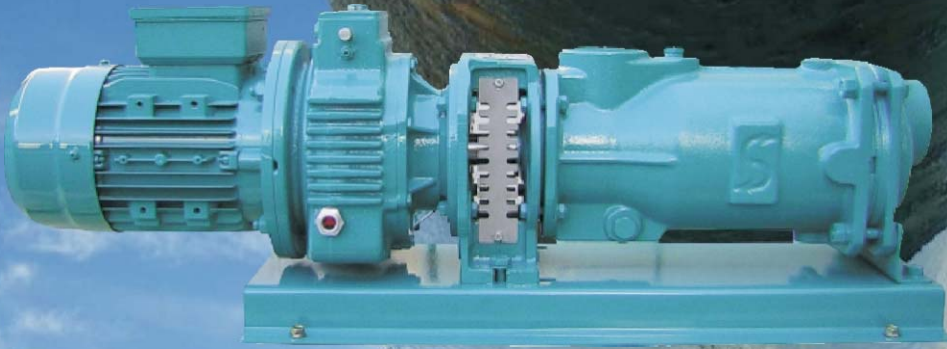




Torqueflow Sydex

Fluid Management

FM Range Pumps



Quality through Service

FM Series Progressing Cavity Pumps

Compact and versatile, the FM range brings you all the advantages of progressing cavity pumps, in a small, compact and economical design.

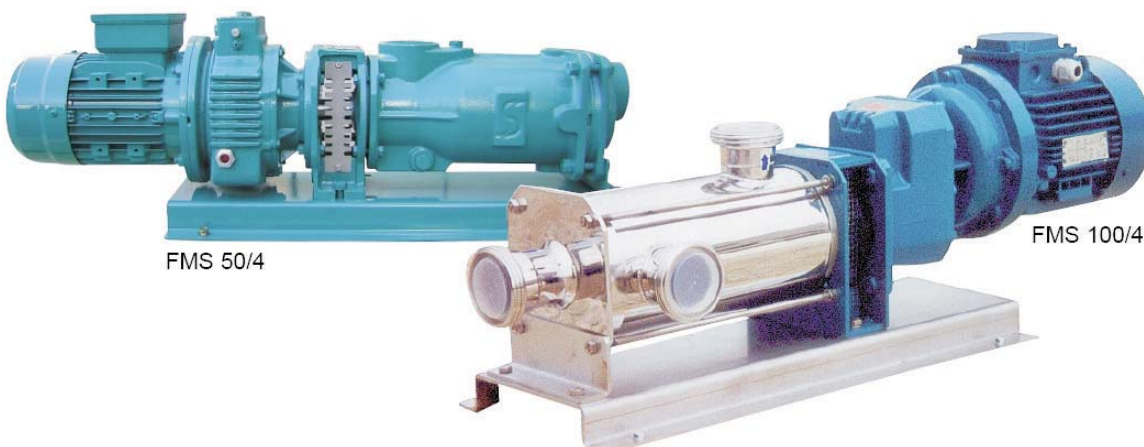
Tested and proven in many applications

- Wide range of flows 20 up to 10,000 LPH
- High performance combined with efficient design
- Self priming ideal for suction lifts
- Lightweight and compact
- Available as direct or long-coupled giving the widest choice of motor combinations
- Low noise emissions
- Non-pulsating reliable flow
- Extremely simple maintenance
- Low cost of ownership
- Different material combinations available to suit applications

Pumps can be used in many different applications:

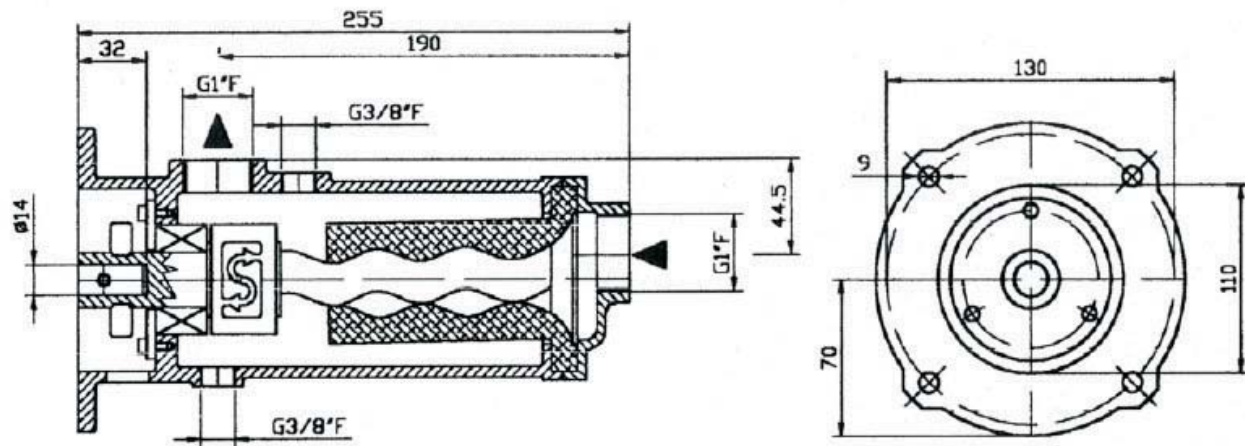
- Waste water treat. (Polymers, waste, sludge, flocculants);
- Chemical industry (Detergents, varnish, paints, inks, soaps);
- Buildings (Cements, bentonite);
- Agrofood industry (Creams, emulsions, wine, olive oils);
- Energy (Hydrocarbons, coolant and cutting oils, acids).
- Drainage applications
- Sampling duties
- Solids handling
- Abrasive slurries
- Ideal for OEM pump applications

Quality through Service

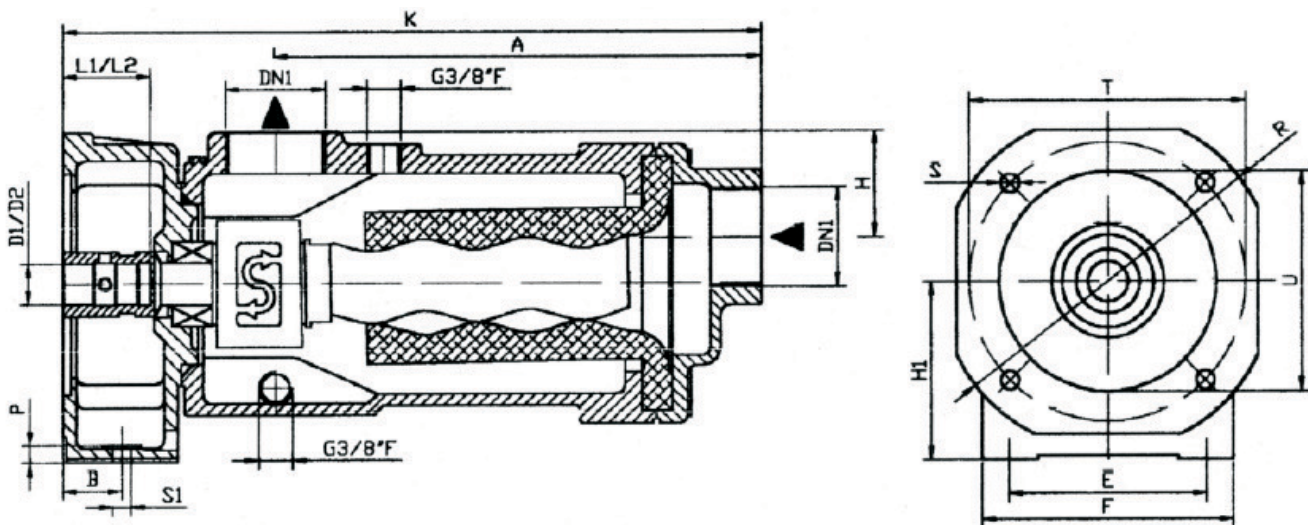


FM Series Progressing Cavity Pumps

Tipo - Size FMC 074/154/153



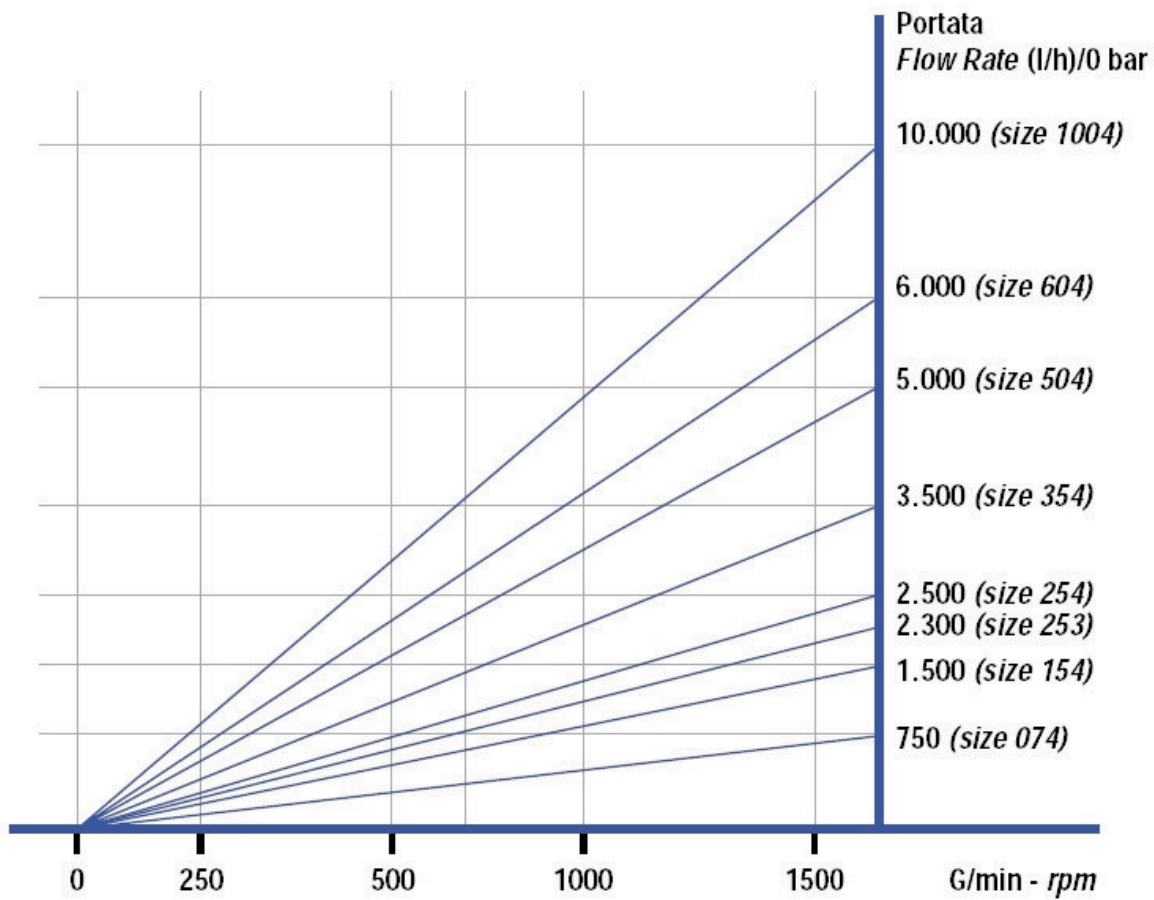
Tipo - Size FMS 254/354/504/604/1004



Quality through Service

FM Series Progressing Cavity Pumps

Theoretical Performances



TIPO/SIZE	A	B	D1	D2	DN1	E	F	H	H1	K	L1	L2	P	R	S	S1	T	U	Kg.
IS 254	248	35	19	24	G1 1/2" F	118	150	61	105	368	47	52	10	200	11	11	165	130	16
IS 354	248	35	19	24	G1 1/2" F	118	150	61	105	368	47	52	10	200	11	11	165	130	16,5
IS 504	286	35	19	24	G 2" F	118	150	63	105	412	47	52	10	200	11	11	165	130	20
IS 604	286	35	19	24	G 2" F	118	150	63	105	412	47	52	10	200	11	11	165	130	20,5
IS 1004	286	35	-	24	G 2" F	160	200	63	130	422	-	52	10	200	11	11	165	130	24
IS 1804	557	25	-	28	DN 80	190	220	170	150	732	-	62	10	250	13	13	215	180	48

Quality through Service

Other Quality Products

F Range
Free Moulded Pumps
Range available
FM-S or FM-C
Flow rate up to 10,000 l/h
Pressure up to 4 bar



K Range
Flow rate up to 200 m³/h
Pressure up to 24 bar
Special on request
Up to 48 bar



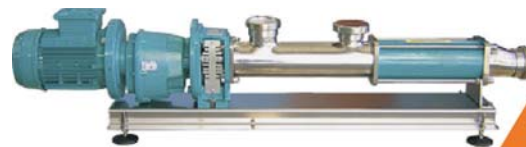
M Range
Metering Pumps
Flow rate up to 50 l/h
Pressure up to 18 bar



W range
standard open throat
Flow rate up to 100 m³/h
Pressure up to 24 bar



H Range
Hygienic construction
Sub-range: HL and HF
Flow rate up to 50m³/h
Pressure up to 24 bar



E Range
Vertical pumps
Variants: W - U - D - H
Flow rate up to 50m³/h
Pressure up to 12 bar



G Range
Oversized Hopper pumps
Flow rate up to 80m³/h
Pressure up to 24 bar



Shaftless Screw Conveyor
Developed and designed for efficient transportation of materials with minimal maintenance, and maximum reliability. Rotates inside a trough with a maximum inclination of 30°. The trough has bolted covers for simplified maintenance



Spare parts
Torqueflow-Sydex provides a comprehensive spare parts service. We can provide parts to fit all manufacturers saving you substantial amounts of time and money



Torqueflow Sydex

Fluid Management

Torqueflow-Sydex was established in the UK in 2006 working closely with its sister company Sydex. With over 20 years of experience in the pump industry, our purpose is to offer unrivalled levels of service and expertise. Founded in 1999, Sydex has developed an extensive range of high quality and cost effective progressing cavity pumps, which are today used extensively all over the world. By being able to provide state-of-the-art market-driven products, flexibility in providing customer-focused solutions, and unparalleled levels of service, we are experiencing rapid growth throughout the globe, this growth has led to the establishment of Torqueflow-Sydex.

Our products are available in Europe, America, Asia and Oceania. Please contact us for more detail

Torqueflow-Sydex Limited
Unit 2CB Deer Park Farm Industrial Estate
Knowle Lane
Eastleigh
SO50 7PZ

Tel: +44 [0] 845 230 2006
Fax: +44 [0] 845 299 1971

info@torqueflow-sydex.com
www.torqueflow-sydex.com

Quality through Service