

sera Compact Vertical Dosing System CVD



Main menu:

Benefits at a glance

Overview CVD1 and CVD2

3D Configurator

Examples for Applications

Accessories and Service



Benefits at a glance:

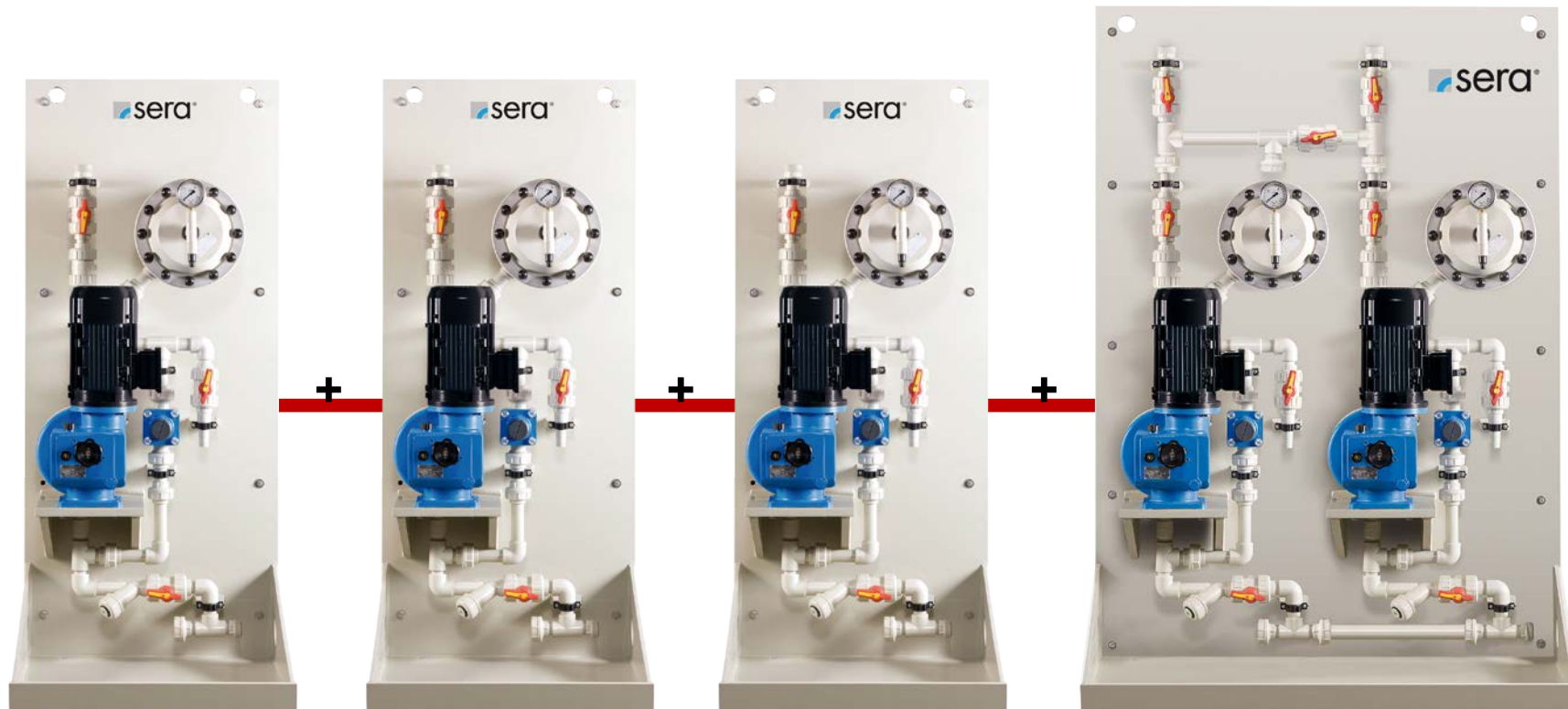
- Standard product in proven sera quality – „**made in Germany**“
- Standardized system made out of standardized components
- High degree of individual adaptability thanks to modular design
- Wide range of optional, standardized accessories.
- Very simple installation and commissioning thanks to sera's „**Plug & Dose**“
- Extensive safety upgrades are available
- Also available in **gas-tight design!**
- Reduced size thanks to a compact and space-saving design
- Short delivery times and a high degree of availability

[next](#)

[Main menu](#)

Benefits at a glance :

- Thanks to defined pipe connections and the modular design it is possible to upgrade the CVD without problems, even during or after commissioning.



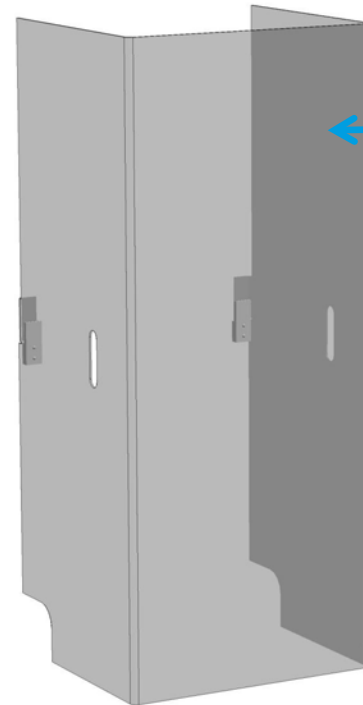
next

back

Main menu

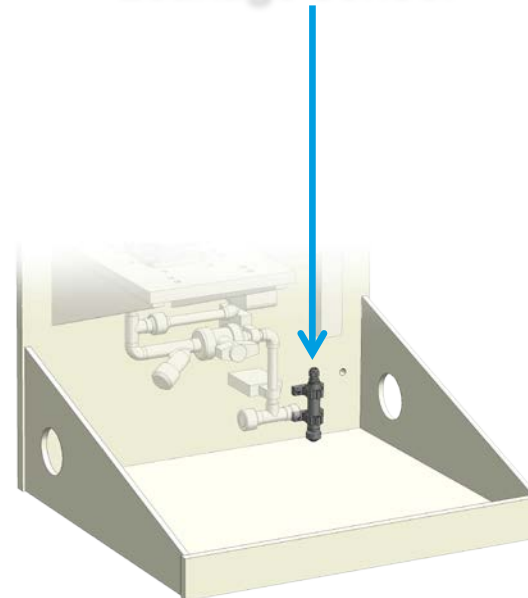
Benefits at a glance :

- Safety upgrades ensure an optimum level of protection for the environment and the operator.



Splash guard

Leakage sensor



[back](#)

[Main menu](#)

Overview CVD1 and CVD2:

■ CVD1 (1 Pump)

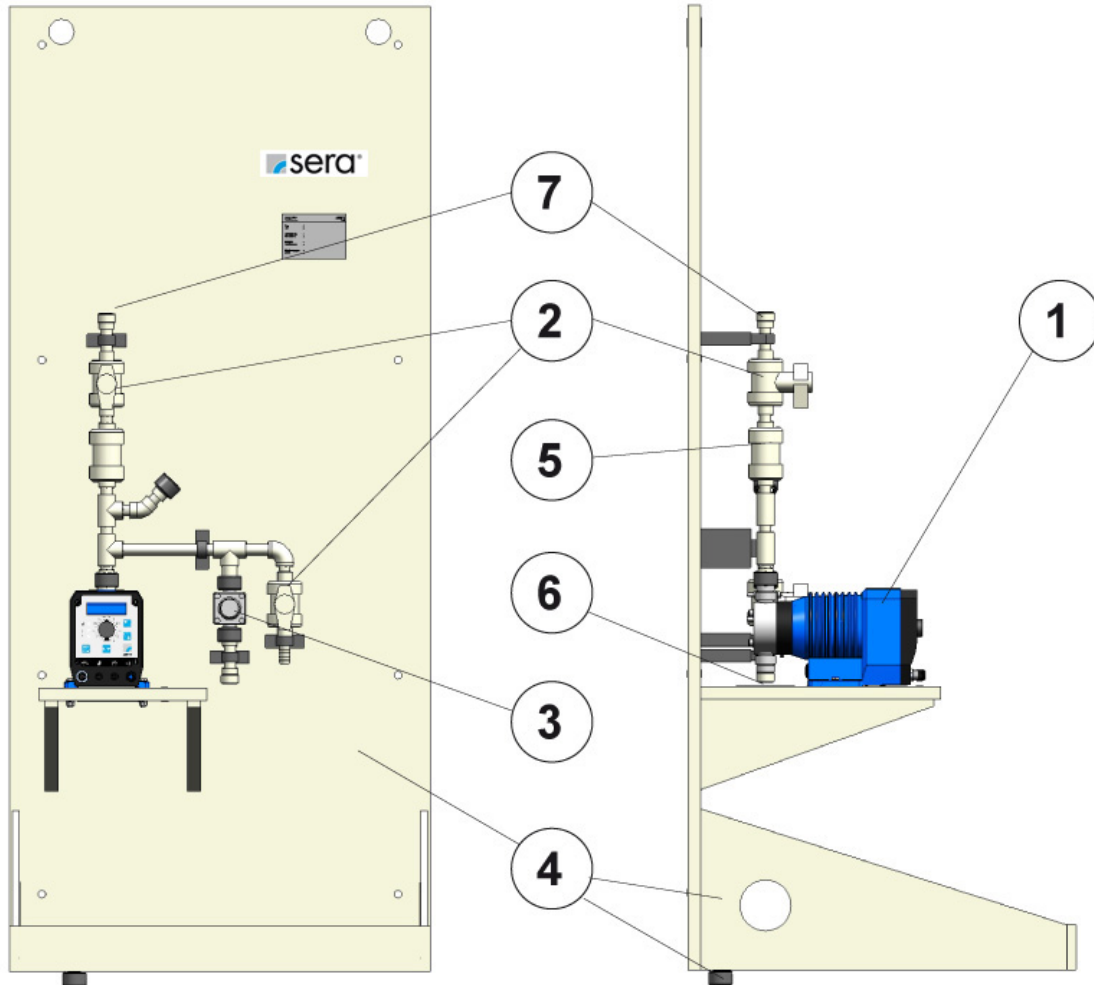


■ CVD2 (2 Pumps)



[Main menu](#)

sera CVD1 Basic design with controllable solenoid diaphragm pump (serie C204.1)

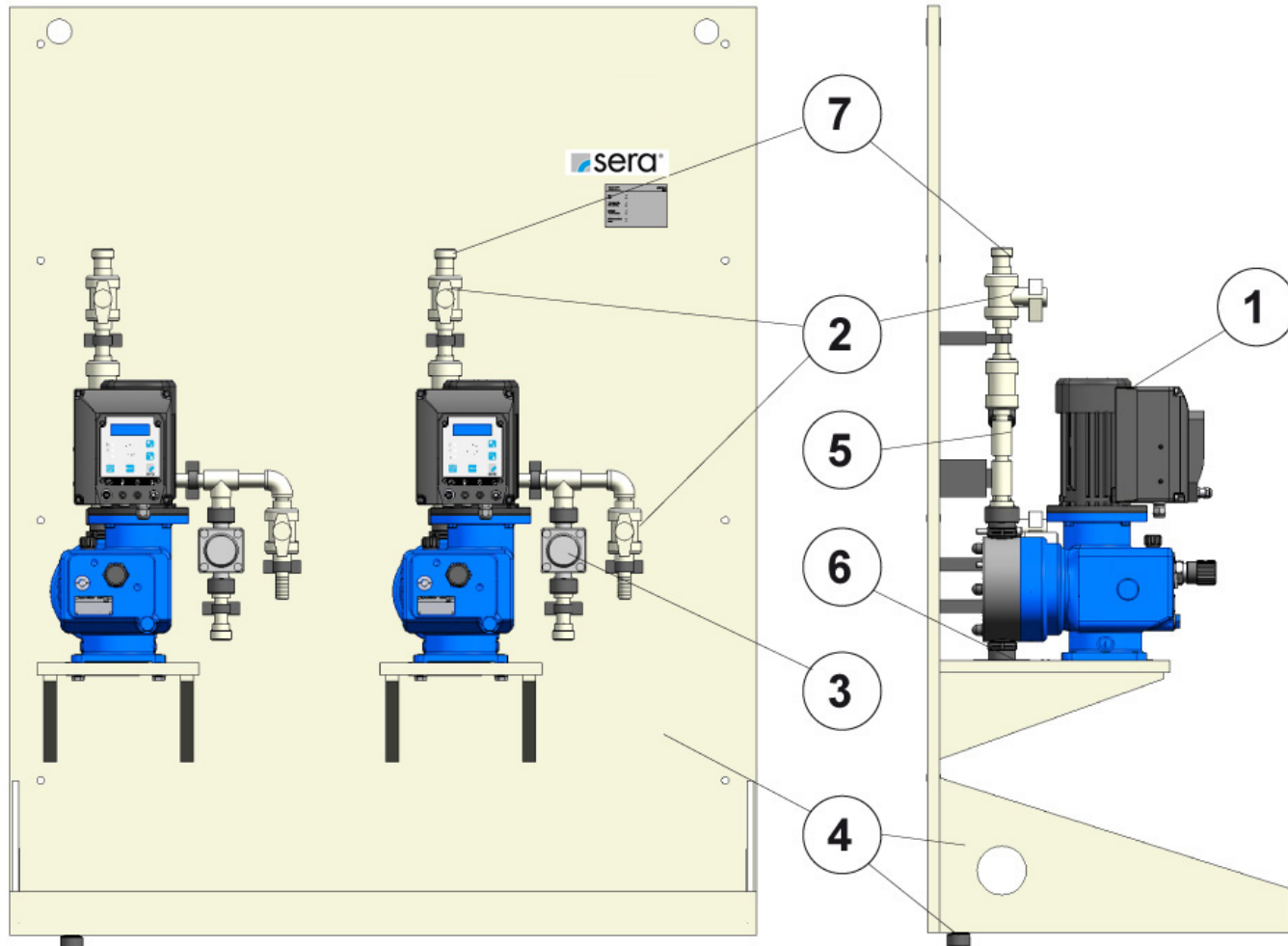


- 1.) Diaphragm pump
- 2.) 2 x Two-way ball cock on pressure side (shut-off + draining)
- 3.) Diaphragm relief valve
- 4.) Wall mounting plate made of PP (with integrated drip pan and drain joint)
- 5.) Pipework pressure side made of PVC-U or PP
- 6.) Final connection suction side: Connection thread of diaphragm pump
- 7.) Final connection pressure side: male thread of final shut-off valve

[next](#)

[Main menu](#)

sera CVD2 Basic design with controllable diaphragm pump (serie C410.2)



- 1.) 2 x Diaphragm pump
- 2.) 4 x Two-way ball cock on pressure side (shut-off + draining)
- 3.) 2 x Diaphragm relief valve
- 4.) Wall mounting plate made of PP (with integrated drip pan and drain joint)
- 5.) Pipework pressure side made of PVC-U or PP
- 6.) Final connection suction side: Connection thread of diaphragm pump
- 7.) Final connection pressure side: male thread of final shut-off valve

[next](#)

[Main menu](#)

sera CVD1 – Technical Data

Type	Capacity [l/h]	Permissible counterpressure bar	Permissible suction head mWC	Number of pumps	Pump series
CVD 1 - 60.1	up to 60	up to 10	up to 3	1	R/C 204.1 – 0,4e ...R/RF/C409.2-50
CVD 1 - 550.1	up to 550	up to 8	up to 3	1	R/RF/C 409.2 – 75 ...R/RF/C410.2-510
CVD 1 - 1500.1	up to 1500	up to 5	up to 3	1	R/RF/C 410.2 – 570...R/RF/C410.2-1450

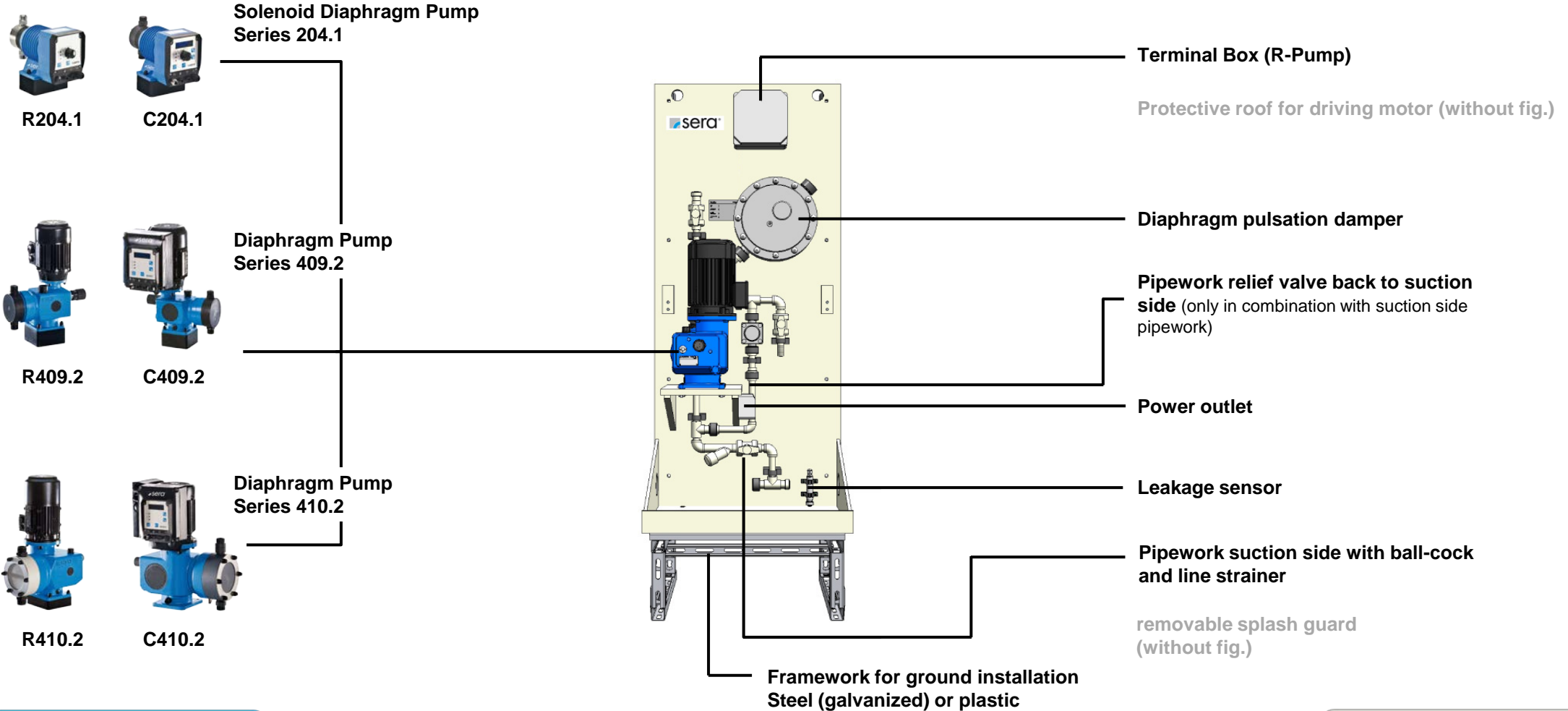
[back](#)[next](#)[Main menu](#)

sera CVD2 – Technical Data

Type	Capacity [l/h]	Permissible counterpressure bar	Permissible suction head mWC	Number of pumps	Pump series
CVD 2 - 60.1	up to 2x 60	up to 10	up to 3	2	R/C 204.1 – 0,4e ...R/RF/C409.2-60
CVD 2 - 550.1	up to 2x 550	up to 8	up to 3	2	R/RF/C 409.2 – 75 ...R/RF/C410.2-510
CVD 2 - 1500.1	up to 2x 1500	up to 5	up to 5	2	R/RF/C 410.2 – 570...R/RF/C410.2-1450

[back](#)[next](#)[Main menu](#)

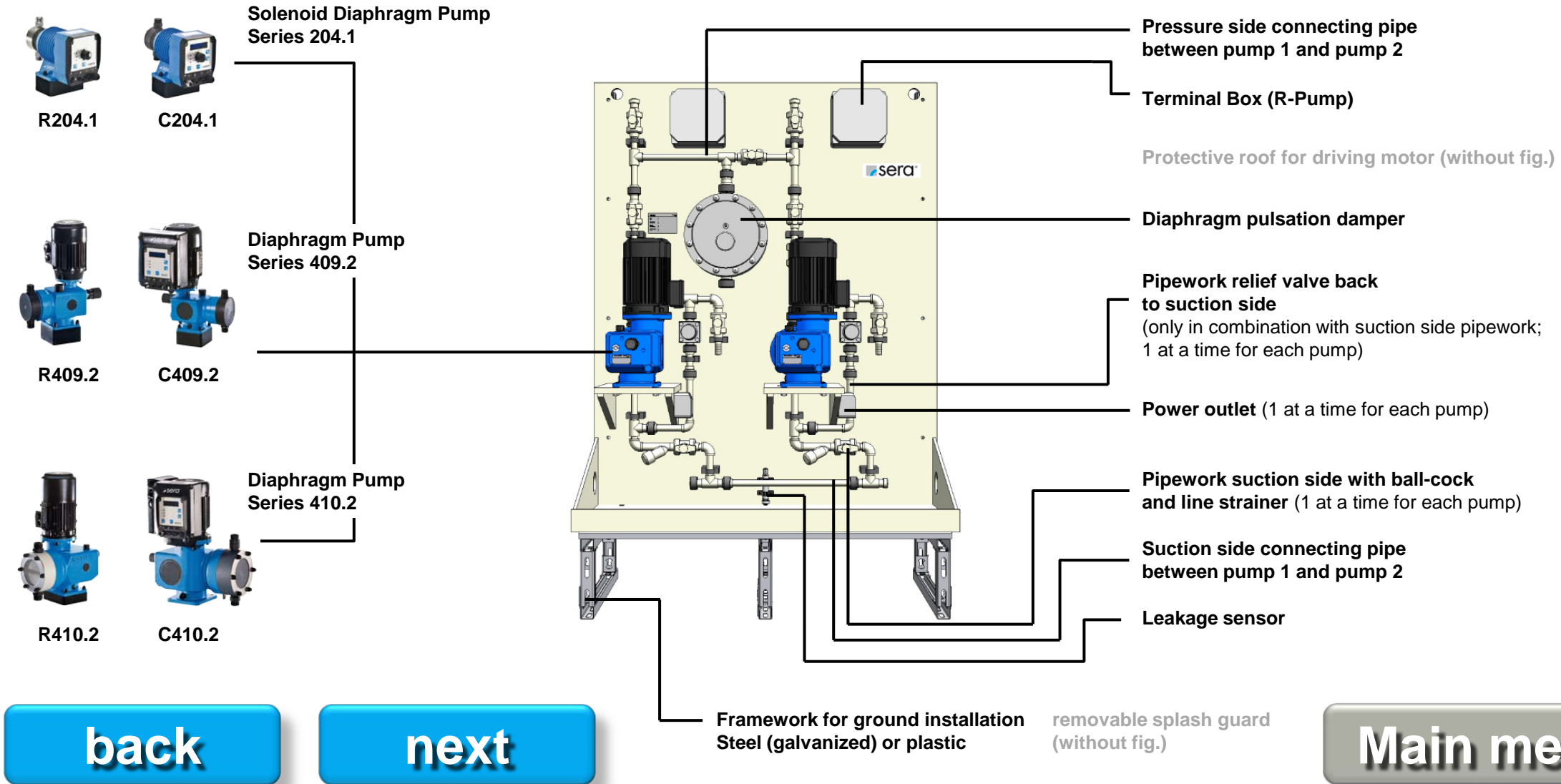
sera CVD1 – Overview Options



[back](#)

[Main menu](#)

sera CVD2 – Overview Options (Standby Installation)

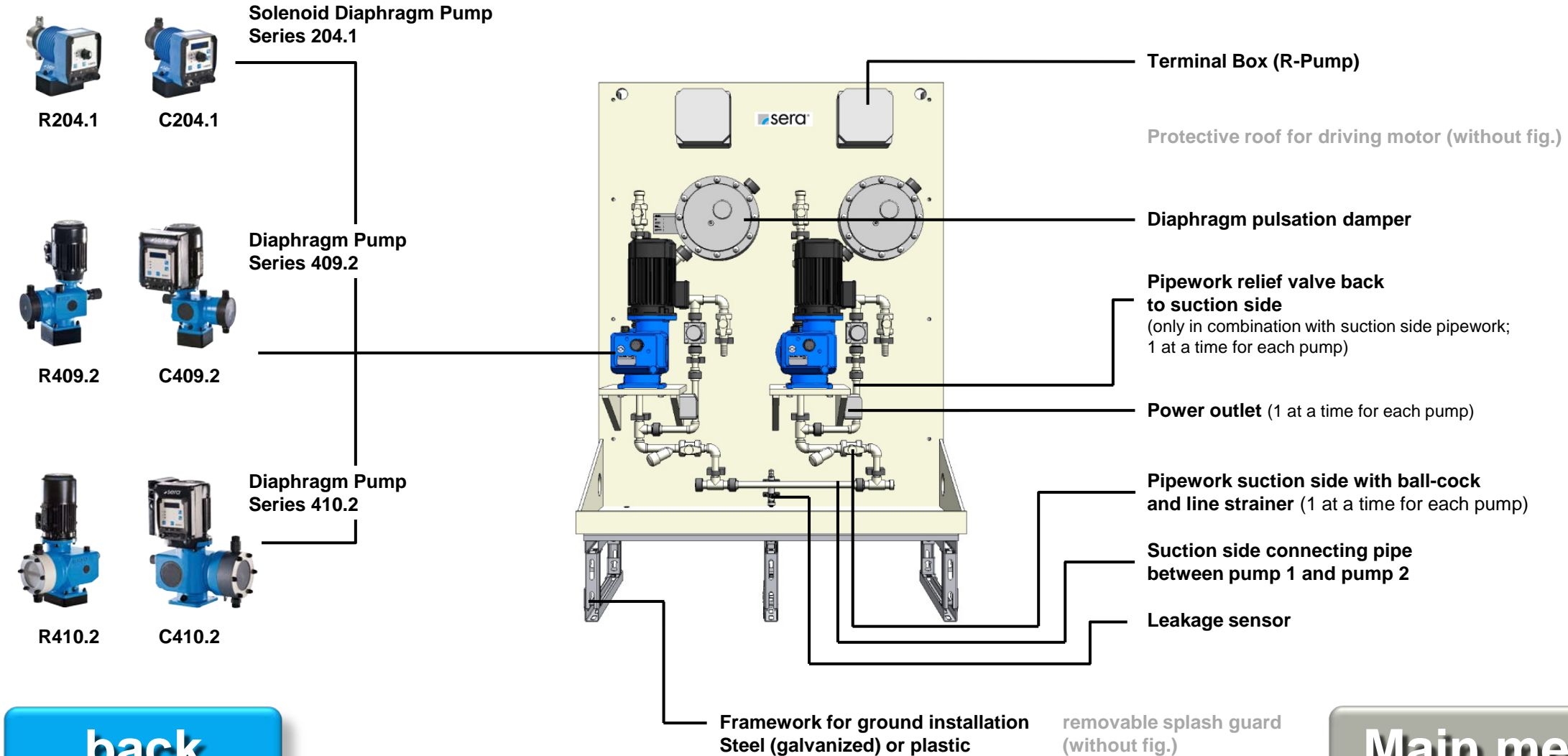


[back](#)

[next](#)

[Main menu](#)

sera CVD2 – Overview Options (2 x 100% Installation)



[back](#)

[Main menu](#)

3D Configurator

■ CVD1 (1 Pump)



■ CVD2 (2 Pumps)



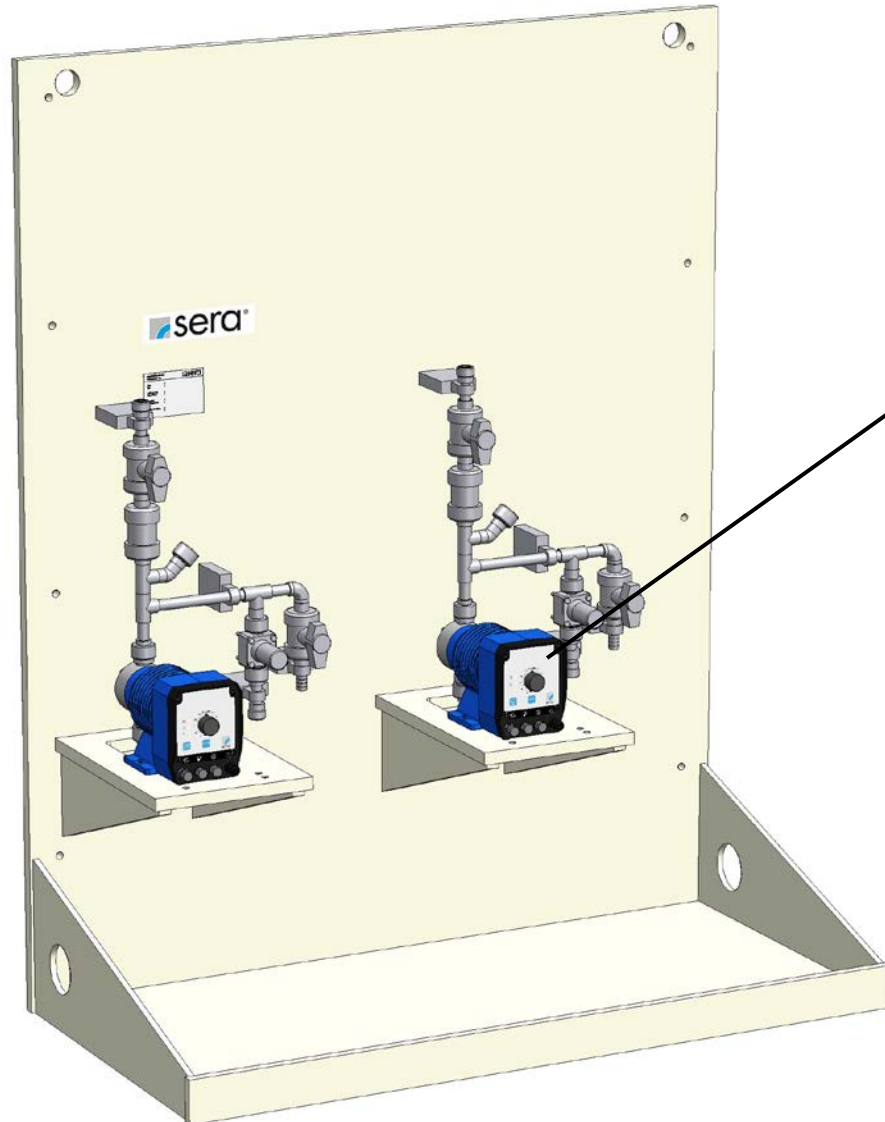
Please choose

[Main menu](#)

3D Configurator CVD2



Please choose:



Solenoid Diaphragm Pump R204.1

Solenoid Diaphragm Pump C204.1

Diaphragm Pump R409.2

Diaphragm Pump C409.2

Diaphragm Pump R410.2

Diaphragm Pump C410.2

next

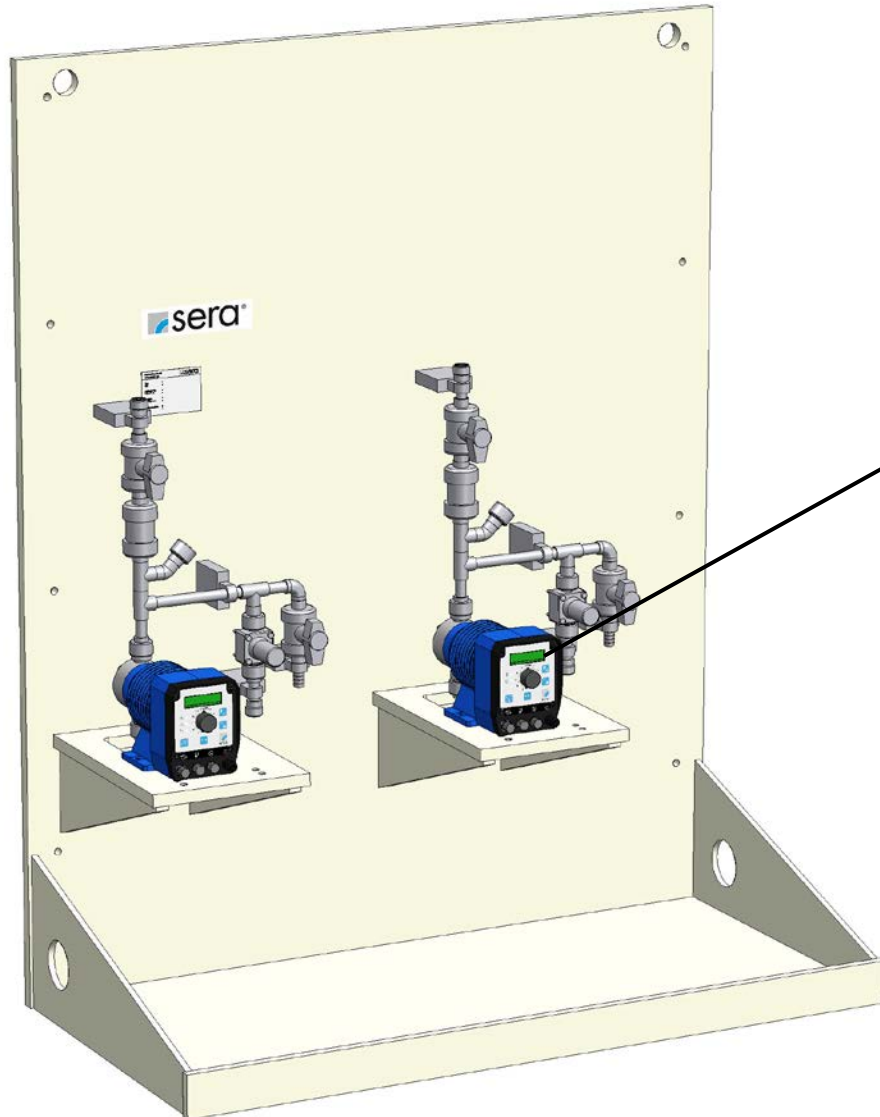
back

Main menu

3D Configurator CVD2



Please choose:



Solenoid Diaphragm Pump R204.1

Solenoid Diaphragm Pump C204.1

Diaphragm Pump R409.2

Diaphragm Pump C409.2

Diaphragm Pump R410.2

Diaphragm Pump C410.2

next

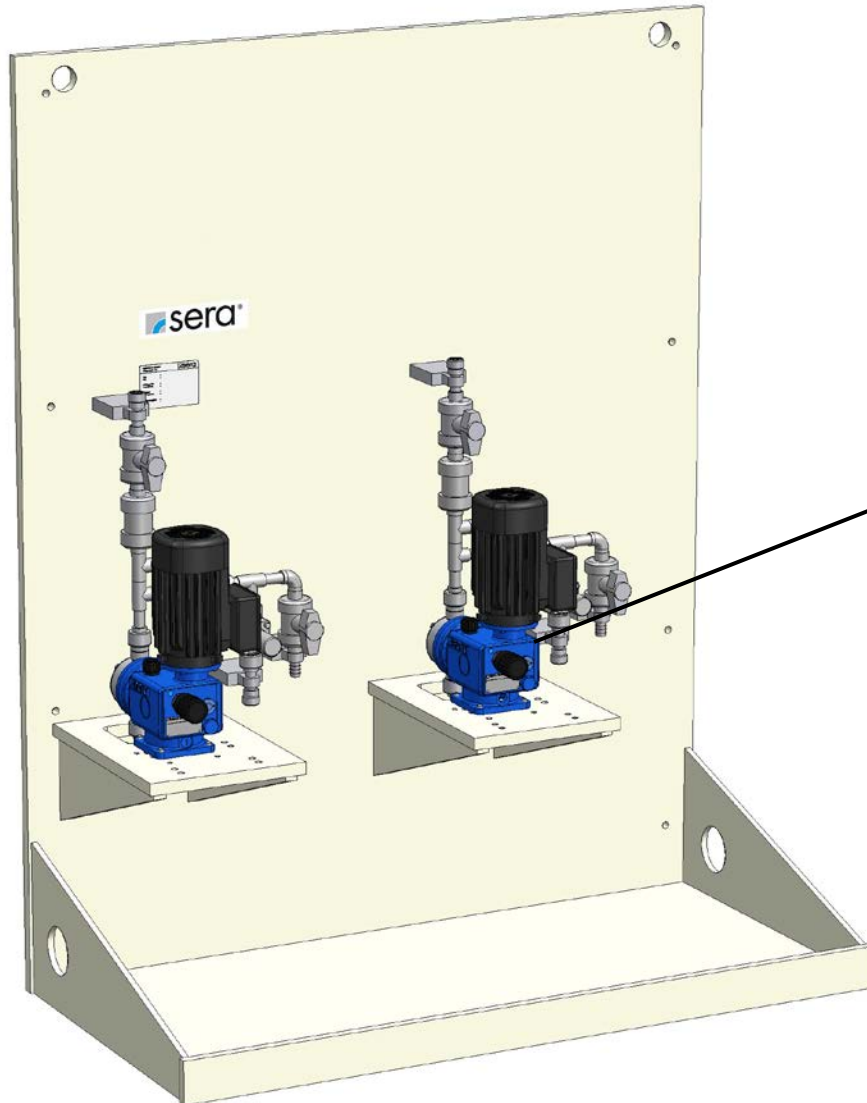
back

Main menu

3D Configurator CVD2



Please choose:



Solenoid Diaphragm Pump R204.1

Solenoid Diaphragm Pump C204.1

Diaphragm Pump R409.2

Diaphragm Pump C409.2

Diaphragm Pump R410.2

Diaphragm Pump C410.2

next

back

Main menu

3D Configurator CVD2



Please choose:



Solenoid Diaphragm Pump R204.1

Solenoid Diaphragm Pump C204.1

Diaphragm Pump R409.2

Diaphragm Pump C409.2

Diaphragm Pump R410.2

Diaphragm Pump C410.2

next

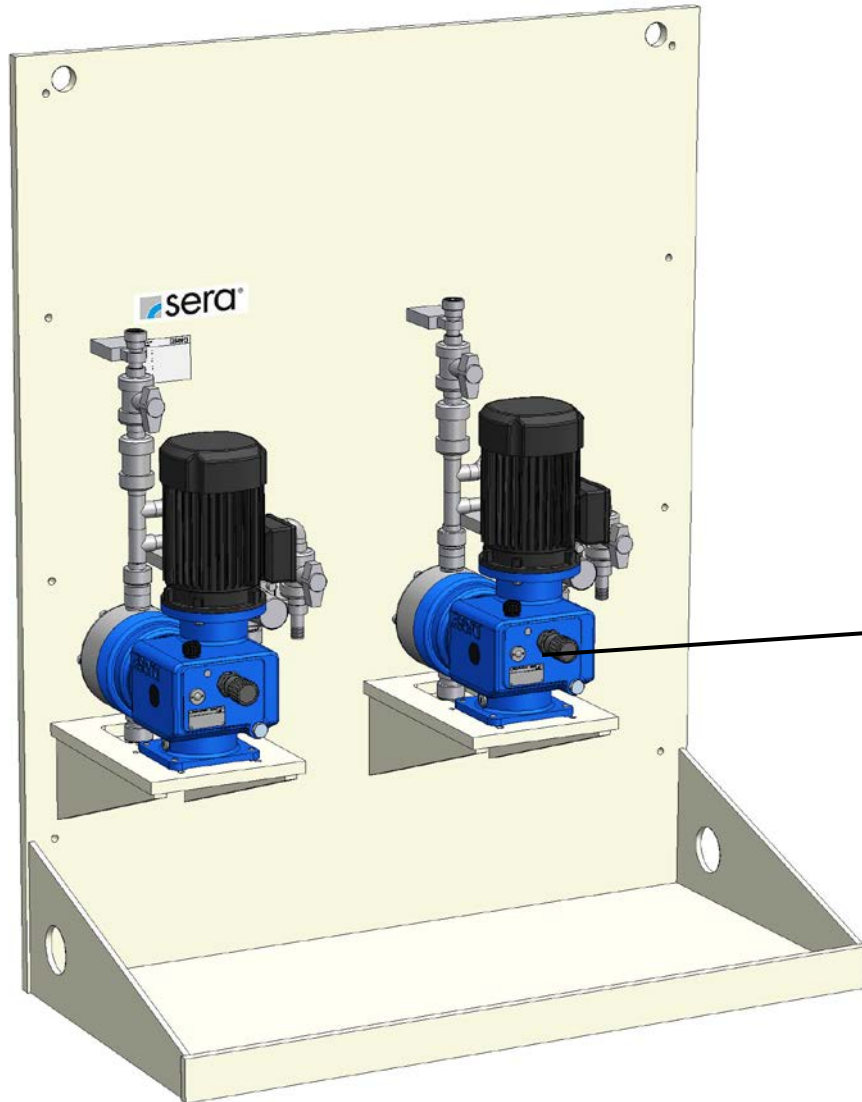
back

Main menu

3D Configurator CVD2



Please choose:



Solenoid Diaphragm Pump R204.1

Solenoid Diaphragm Pump C204.1

Diaphragm Pump R409.2

Diaphragm Pump C409.2

Diaphragm Pump R410.2

Diaphragm Pump C410.2

next

back

Main menu

3D Configurator CVD2



Please choose:



Solenoid Diaphragm Pump R204.1

Solenoid Diaphragm Pump C204.1

Diaphragm Pump R409.2

Diaphragm Pump C409.2

Diaphragm Pump R410.2

Diaphragm Pump C410.2

next

back

Main menu

3D Configurator CVD2



Please choose a configuration example:

Pipe work pressure side and suction side, Pulsation damper, Power outlet, Leakage sensor

Pipe work pressure side and suction side, Splash guard

Pipe work pressure side and suction side, Pulsation damper

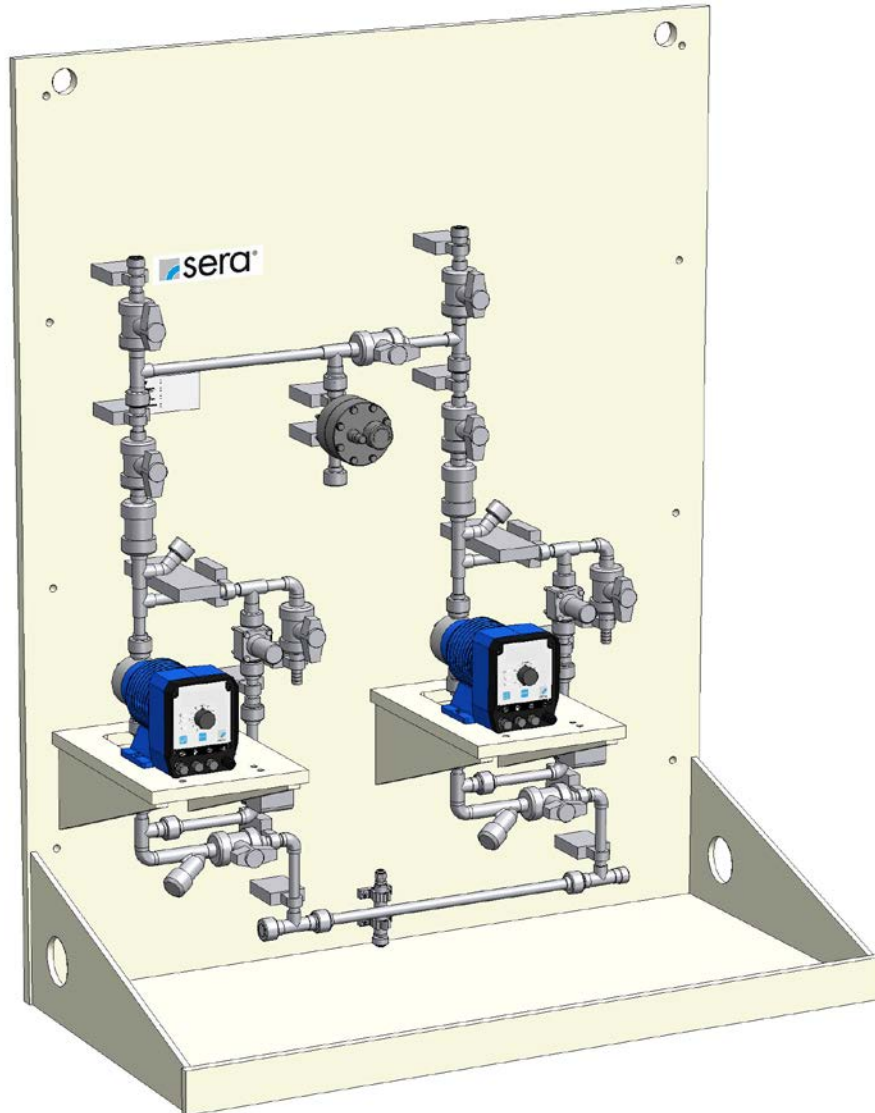
Pipe work pressure side and suction side, Pulsation damper, Splash guard

Pipe work pressure side and suction side

back

Main menu

3D Configurator CVD2



Please choose a configuration example:

Pipe work pressure side and suction side, Pulsation damper, Power outlet, Leakage sensor

Pipe work pressure side and suction side, Splash guard

Pipe work pressure side and suction side, Pulsation damper

Pipe work pressure side and suction side, Pulsation damper, Splash guard

Pipe work pressure side and suction side

back

Main menu

3D Configurator CVD2



Please choose a configuration example:

Pipe work pressure side and suction side, Pulsation damper, Power outlet, Leakage sensor

Pipe work pressure side and suction side, Splash guard

Pipe work pressure side and suction side, Pulsation damper

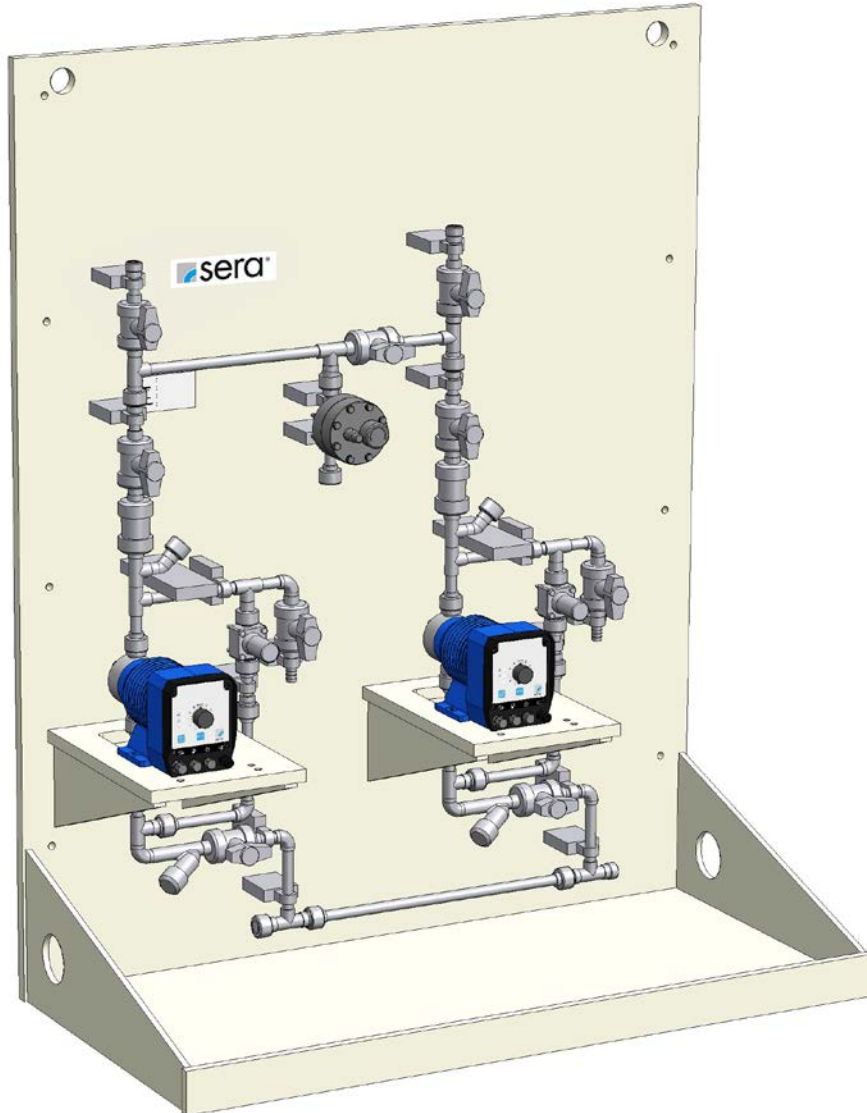
Pipe work pressure side and suction side, Pulsation damper, Splash guard

Pipe work pressure side and suction side

back

Main menu

3D Configurator CVD2



Please choose a configuration example:

Pipe work pressure side and suction side, Pulsation damper, Power outlet, Leakage sensor

Pipe work pressure side and suction side, Splash guard

Pipe work pressure side and suction side, Pulsation damper

Pipe work pressure side and suction side, Pulsation damper, Splash guard

Pipe work pressure side and suction side

back

Main menu

3D Configurator CVD2



Please choose a configuration example:

Pipe work pressure side and suction side, Pulsation damper, Power outlet, Leakage sensor

Pipe work pressure side and suction side, Splash guard

Pipe work pressure side and suction side, Pulsation damper

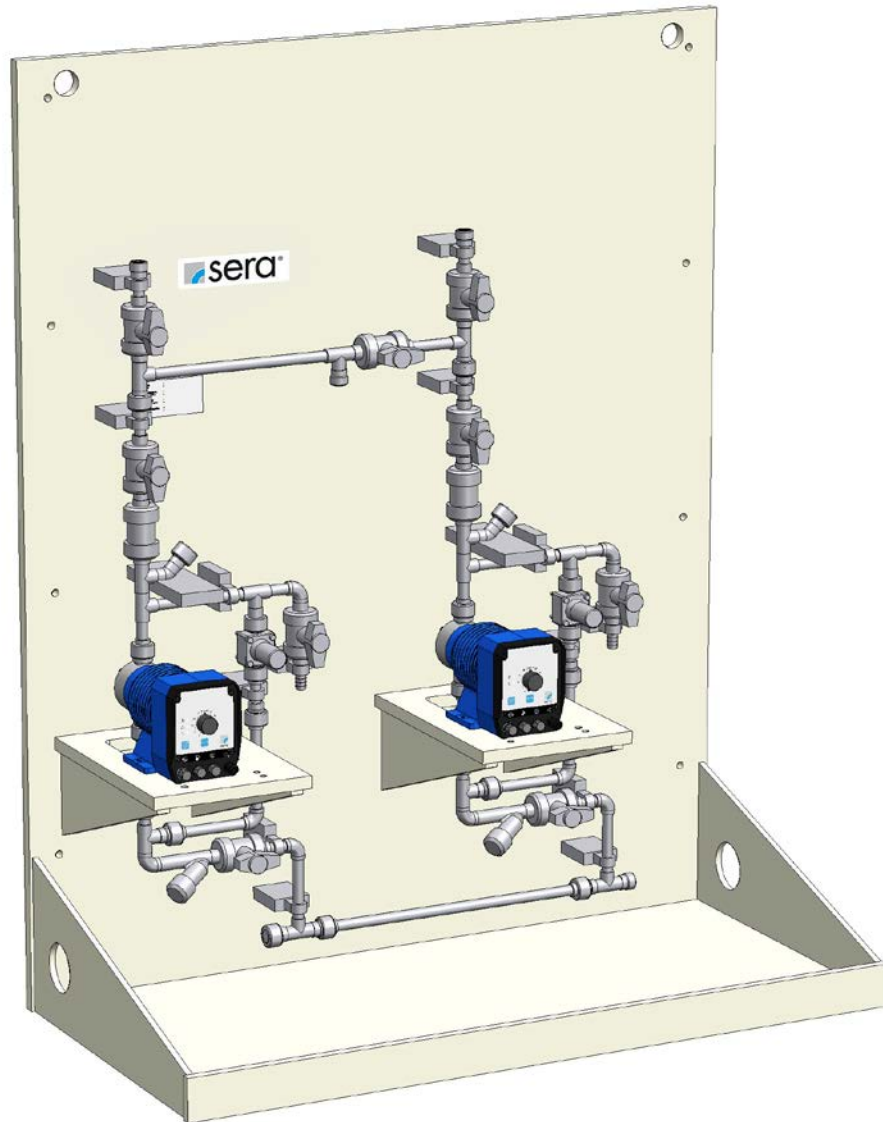
Pipe work pressure side and suction side, Pulsation damper, Splash guard

Pipe work pressure side and suction side

back

Main menu

3D Configurator CVD2



Please choose a configuration example:

**Pipe work pressure side and suction side, Pulsation damper,
Power outlet, Leakage sensor**

Pipe work pressure side and suction side, Splash guard

Pipe work pressure side and suction side, Pulsation damper

**Pipe work pressure side and suction side, Pulsation damper,
Splash guard**

Pipe work pressure side and suction side

back

Main menu

3D Configurator CVD2



Please choose a configuration example:

Pipe work pressure side and suction side, Pulsation damper, Power outlet, Leakage sensor

Pipe work pressure side and suction side, Splash guard

Pipe work pressure side and suction side, Pulsation damper

Pipe work pressure side and suction side, Pulsation damper, Splash guard

Pipe work pressure side and suction side

back

Main menu

3D Configurator CVD2



Please choose a configuration example:

Pipe work pressure side and suction side, Pulsation damper, Power outlet, Leakage sensor

Pipe work pressure side and suction side, Splash guard

Pipe work pressure side and suction side, Pulsation damper

Pipe work pressure side and suction side, Pulsation damper, Splash guard

Pipe work pressure side and suction side

back

Main menu

3D Configurator CVD2



Please choose a configuration example:

**Pipe work pressure side and suction side, Pulsation damper,
Power outlet, Leakage sensor**

Pipe work pressure side and suction side, Splash guard

Pipe work pressure side and suction side, Pulsation damper

**Pipe work pressure side and suction side, Pulsation damper,
Splash guard**

Pipe work pressure side and suction side

back

Main menu

3D Configurator CVD2



Please choose a configuration example:

Pipe work pressure side and suction side, Pulsation damper, Power outlet, Leakage sensor

Pipe work pressure side and suction side, Splash guard

Pipe work pressure side and suction side, Pulsation damper

Pipe work pressure side and suction side, Pulsation damper, Splash guard

Pipe work pressure side and suction side

back

Main menu

3D Configurator CVD2



Please choose a configuration example:

Pipe work pressure side and suction side, Pulsation damper, Power outlet, Leakage sensor

Pipe work pressure side and suction side, Splash guard

Pipe work pressure side and suction side, Pulsation damper

Pipe work pressure side and suction side, Pulsation damper, Splash guard

Pipe work pressure side and suction side

back

Main menu

3D Configurator CVD2



Please choose a configuration example:

Pipe work pressure side and suction side, Pulsation damper, Power outlet, Leakage sensor

Pipe work pressure side and suction side, Splash guard

Pipe work pressure side and suction side, Pulsation damper

Pipe work pressure side and suction side, Pulsation damper, Splash guard

Pipe work pressure side and suction side

back

Main menu

3D Configurator CVD2



Please choose a configuration example:

Pipe work pressure side and suction side, Pulsation damper, Power outlet, Leakage sensor

Pipe work pressure side and suction side, Splash guard

Pipe work pressure side and suction side, Pulsation damper

Pipe work pressure side and suction side, Pulsation damper, Splash guard

Pipe work pressure side and suction side

back

Main menu

3D Configurator CVD2



Please choose a configuration example:

Pipe work pressure side and suction side, Pulsation damper, Power outlet, Leakage sensor

Pipe work pressure side and suction side, Splash guard

Pipe work pressure side and suction side, Pulsation damper

Pipe work pressure side and suction side, Pulsation damper, Splash guard

Pipe work pressure side and suction side

back

Main menu

3D Configurator CVD2



Please choose a configuration example:

Pipe work pressure side and suction side, Pulsation damper, Power outlet, Leakage sensor

Pipe work pressure side and suction side, Splash guard

Pipe work pressure side and suction side, Pulsation damper

Pipe work pressure side and suction side, Pulsation damper, Splash guard

Pipe work pressure side and suction side

back

Main menu

3D Configurator CVD2



Please choose a configuration example:

**Pipe work pressure side and suction side, Pulsation damper,
Power outlet, Leakage sensor**

Pipe work pressure side and suction side, Splash guard

Pipe work pressure side and suction side, Pulsation damper

**Pipe work pressure side and suction side, Pulsation damper,
Splash guard**

Pipe work pressure side and suction side

back

Main menu

3D Configurator CVD2



Please choose a configuration example:

Pipe work pressure side and suction side, Pulsation damper, Power outlet, Leakage sensor

Pipe work pressure side and suction side, Splash guard

Pipe work pressure side and suction side, Pulsation damper

Pipe work pressure side and suction side, Pulsation damper, Splash guard

Pipe work pressure side and suction side

back

Main menu

3D Configurator CVD2



Please choose a configuration example:

Pipe work pressure side and suction side, Pulsation damper, Power outlet, Leakage sensor

Pipe work pressure side and suction side, Splash guard

Pipe work pressure side and suction side, Pulsation damper

Pipe work pressure side and suction side, Pulsation damper, Splash guard

Pipe work pressure side and suction side

back

Main menu

3D Configurator CVD2



Please choose a configuration example:

Pipe work pressure side and suction side, Pulsation damper, Power outlet, Leakage sensor

Pipe work pressure side and suction side, Splash guard

Pipe work pressure side and suction side, Pulsation damper

Pipe work pressure side and suction side, Pulsation damper, Splash guard

Pipe work pressure side and suction side

back

Main menu

3D Configurator CVD2



Please choose a configuration example:

**Pipe work pressure side and suction side, Pulsation damper,
Power outlet, Leakage sensor**

Pipe work pressure side and suction side, Splash guard

Pipe work pressure side and suction side, Pulsation damper

**Pipe work pressure side and suction side, Pulsation damper,
Splash guard**

Pipe work pressure side and suction side

back

Main menu

3D Configurator CVD2



Please choose a configuration example:

Pipe work pressure side and suction side, Pulsation damper, Power outlet, Leakage sensor

Pipe work pressure side and suction side, Splash guard

Pipe work pressure side and suction side, Pulsation damper

Pipe work pressure side and suction side, Pulsation damper, Splash guard

Pipe work pressure side and suction side

back

Main menu

3D Configurator CVD2



Please choose a configuration example:

**Pipe work pressure side and suction side, Pulsation damper,
Power outlet, Leakage sensor**

Pipe work pressure side and suction side, Splash guard

Pipe work pressure side and suction side, Pulsation damper

**Pipe work pressure side and suction side, Pulsation damper,
Splash guard**

Pipe work pressure side and suction side

back

Main menu

3D Configurator CVD2



Please choose a configuration example:

**Pipe work pressure side and suction side, Pulsation damper,
Power outlet, Leakage sensor**

Pipe work pressure side and suction side, Splash guard

Pipe work pressure side and suction side, Pulsation damper

**Pipe work pressure side and suction side, Pulsation damper,
Splash guard**

Pipe work pressure side and suction side

back

Main menu

3D Configurator CVD2



Please choose a configuration example:

Pipe work pressure side and suction side, Pulsation damper, Power outlet, Leakage sensor

Pipe work pressure side and suction side, Splash guard

Pipe work pressure side and suction side, Pulsation damper

Pipe work pressure side and suction side, Pulsation damper, Splash guard

Pipe work pressure side and suction side

back

Main menu

3D Configurator CVD2



Please choose a configuration example:

Pipe work pressure side and suction side, Pulsation damper, Power outlet, Leakage sensor

Pipe work pressure side and suction side, Splash guard

Pipe work pressure side and suction side, Pulsation damper

Pipe work pressure side and suction side, Pulsation damper, Splash guard

Pipe work pressure side and suction side

back

Main menu

3D Configurator CVD2



Please choose a configuration example:

**Pipe work pressure side and suction side, Pulsation damper,
Power outlet, Leakage sensor**

Pipe work pressure side and suction side, Splash guard

Pipe work pressure side and suction side, Pulsation damper

**Pipe work pressure side and suction side, Pulsation damper,
Splash guard**

Pipe work pressure side and suction side

back

Main menu

3D Configurator CVD2



Please choose a configuration example:

Pipe work pressure side and suction side, Pulsation damper, Power outlet, Leakage sensor

Pipe work pressure side and suction side, Splash guard

Pipe work pressure side and suction side, Pulsation damper

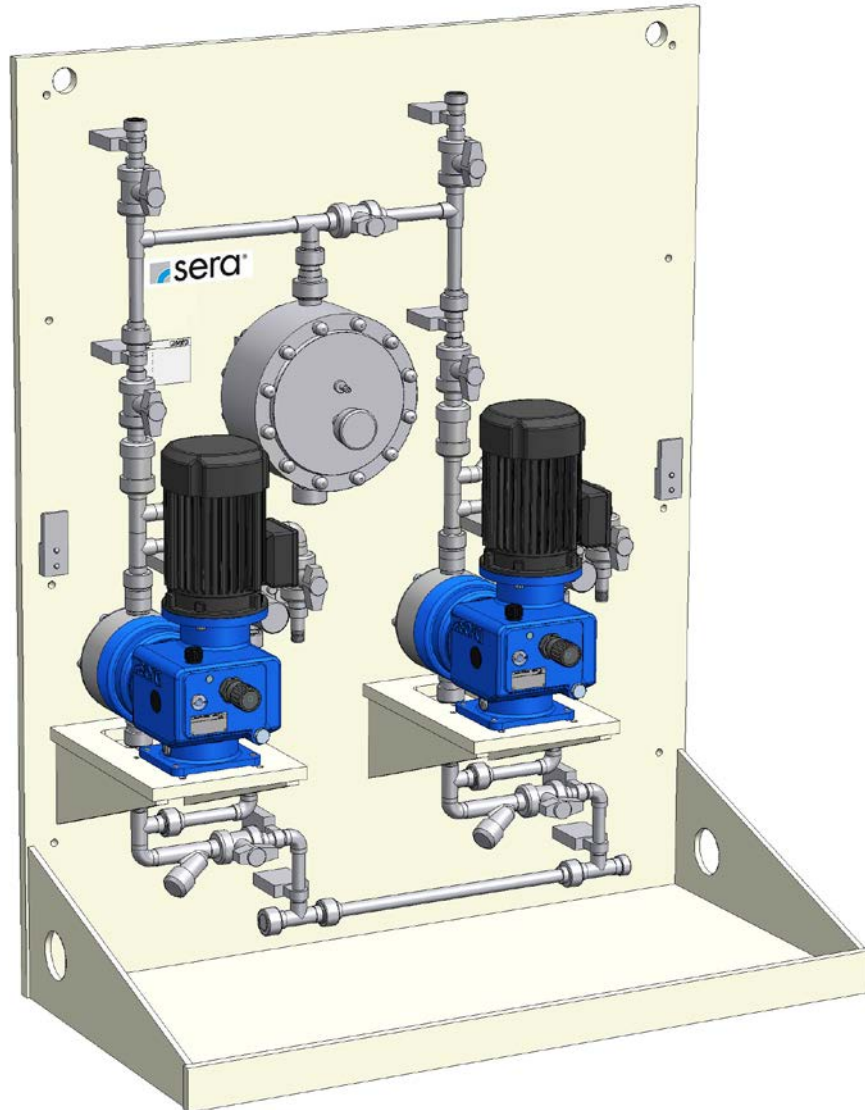
Pipe work pressure side and suction side, Pulsation damper, Splash guard

Pipe work pressure side and suction side

back

Main menu

3D Configurator CVD2



Please choose a configuration example:

Pipe work pressure side and suction side, Pulsation damper, Power outlet, Leakage sensor

Pipe work pressure side and suction side, Splash guard

Pipe work pressure side and suction side, Pulsation damper

Pipe work pressure side and suction side, Pulsation damper, Splash guard

Pipe work pressure side and suction side

back

Main menu

3D Configurator CVD2



Please choose a configuration example:

Pipe work pressure side and suction side, Pulsation damper, Power outlet, Leakage sensor

Pipe work pressure side and suction side, Splash guard

Pipe work pressure side and suction side, Pulsation damper

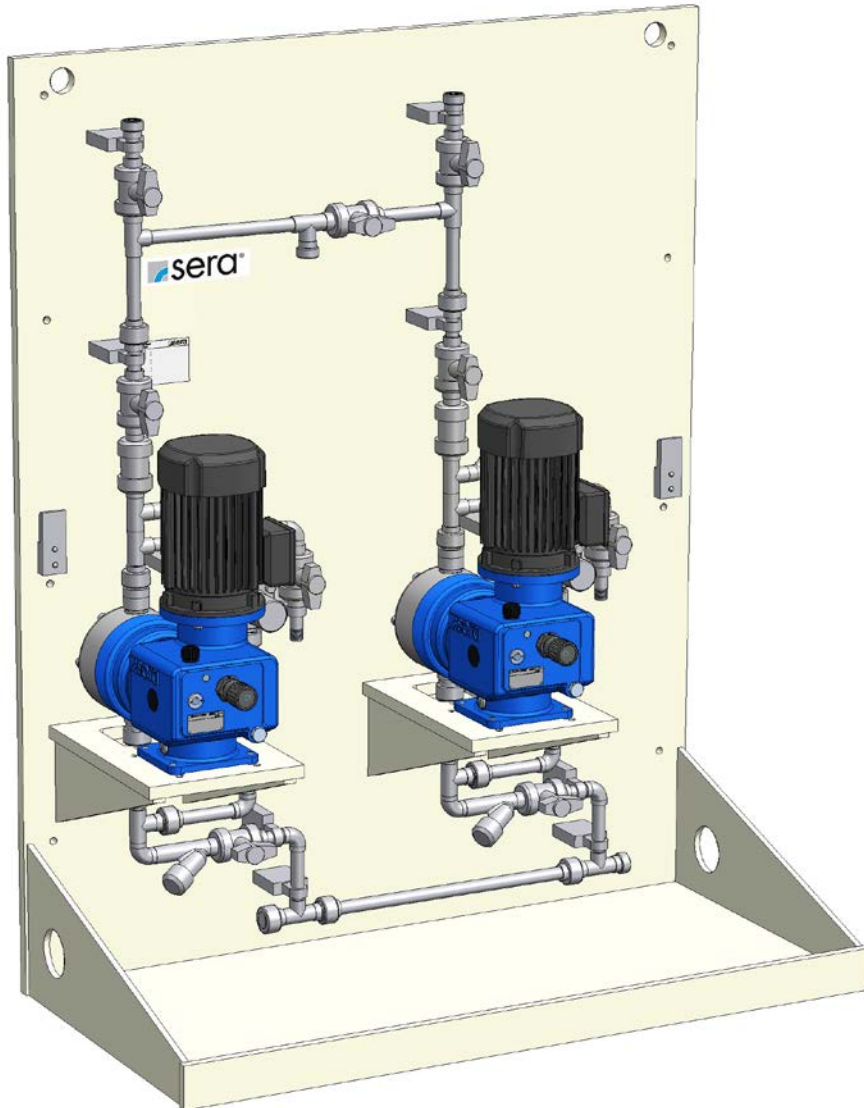
Pipe work pressure side and suction side, Pulsation damper, Splash guard

Pipe work pressure side and suction side

back

Main menu

3D Configurator CVD2



Please choose a configuration example:

Pipe work pressure side and suction side, Pulsation damper, Power outlet, Leakage sensor

Pipe work pressure side and suction side, Splash guard

Pipe work pressure side and suction side, Pulsation damper

Pipe work pressure side and suction side, Pulsation damper, Splash guard

Pipe work pressure side and suction side

back

Main menu

3D Configurator CVD2



Please choose a configuration example:

Pipe work pressure side and suction side, Pulsation damper, Power outlet, Leakage sensor

Pipe work pressure side and suction side, Splash guard

Pipe work pressure side and suction side, Pulsation damper

Pipe work pressure side and suction side, Pulsation damper, Splash guard

Pipe work pressure side and suction side

back

Main menu

3D Configurator CVD2



Please choose a configuration example:

**Pipe work pressure side and suction side, Pulsation damper,
Power outlet, Leakage sensor**

Pipe work pressure side and suction side, Splash guard

Pipe work pressure side and suction side, Pulsation damper

**Pipe work pressure side and suction side, Pulsation damper,
Splash guard**

Pipe work pressure side and suction side

back

Main menu

3D Configurator CVD2



Please choose a configuration example:

**Pipe work pressure side and suction side, Pulsation damper,
Power outlet, Leakage sensor**

Pipe work pressure side and suction side, Splash guard

Pipe work pressure side and suction side, Pulsation damper

**Pipe work pressure side and suction side, Pulsation damper,
Splash guard**

Pipe work pressure side and suction side

back

Main menu

3D Configurator CVD2



Please choose a configuration example:

Pipe work pressure side and suction side, Pulsation damper, Power outlet, Leakage sensor

Pipe work pressure side and suction side, Splash guard

Pipe work pressure side and suction side, Pulsation damper

Pipe work pressure side and suction side, Pulsation damper, Splash guard

Pipe work pressure side and suction side

back

Main menu

3D Configurator CVD2



Please choose a configuration example:

**Pipe work pressure side and suction side, Pulsation damper,
Power outlet, Leakage sensor**

Pipe work pressure side and suction side, Splash guard

Pipe work pressure side and suction side, Pulsation damper

**Pipe work pressure side and suction side, Pulsation damper,
Splash guard**

Pipe work pressure side and suction side

back

Main menu

3D Configurator CVD2



Please choose a configuration example:

Pipe work pressure side and suction side, Pulsation damper, Power outlet, Leakage sensor

Pipe work pressure side and suction side, Splash guard

Pipe work pressure side and suction side, Pulsation damper

Pipe work pressure side and suction side, Pulsation damper, Splash guard

Pipe work pressure side and suction side

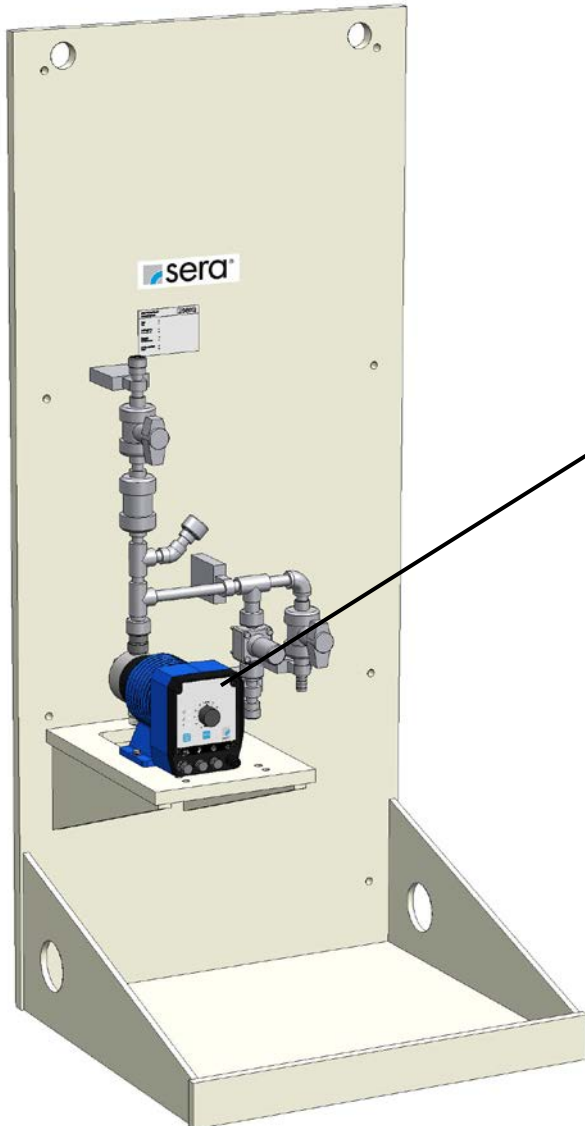
back

Main menu

3D Configurator CVD1



Please choose:



Solenoid Diaphragm Pump R204.1

Solenoid Diaphragm Pump C204.1

Diaphragm Pump R409.2

Diaphragm Pump C409.2

Diaphragm Pump R410.2

Diaphragm Pump C410.2

next

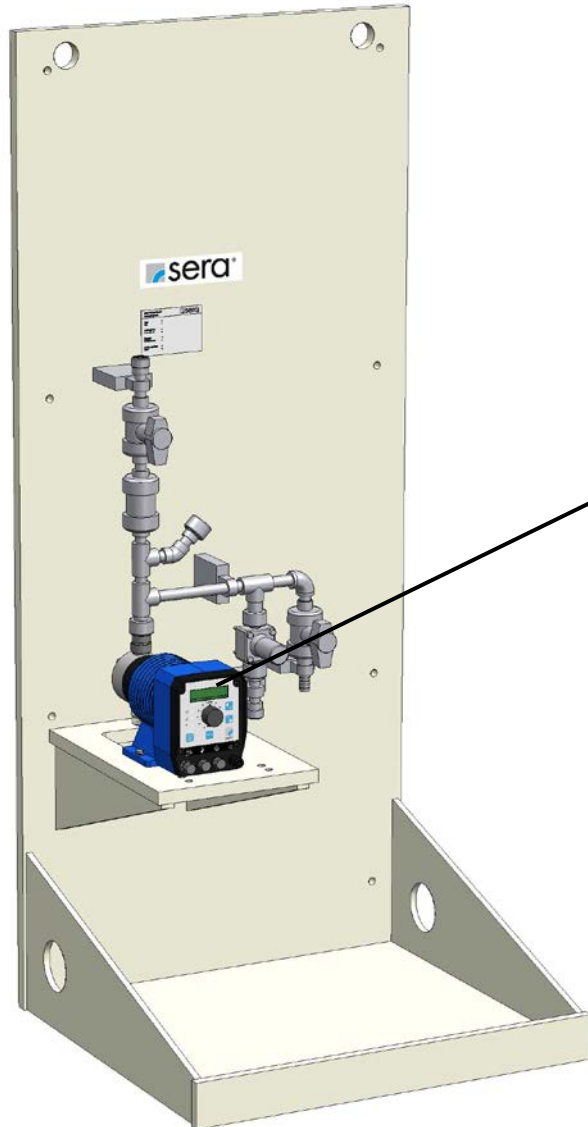
back

Main menu

3D Configurator CVD1



Please choose:



Solenoid Diaphragm Pump R204.1

Solenoid Diaphragm Pump C204.1

Diaphragm Pump R409.2

Diaphragm Pump C409.2

Diaphragm Pump R410.2

Diaphragm Pump C410.2

next

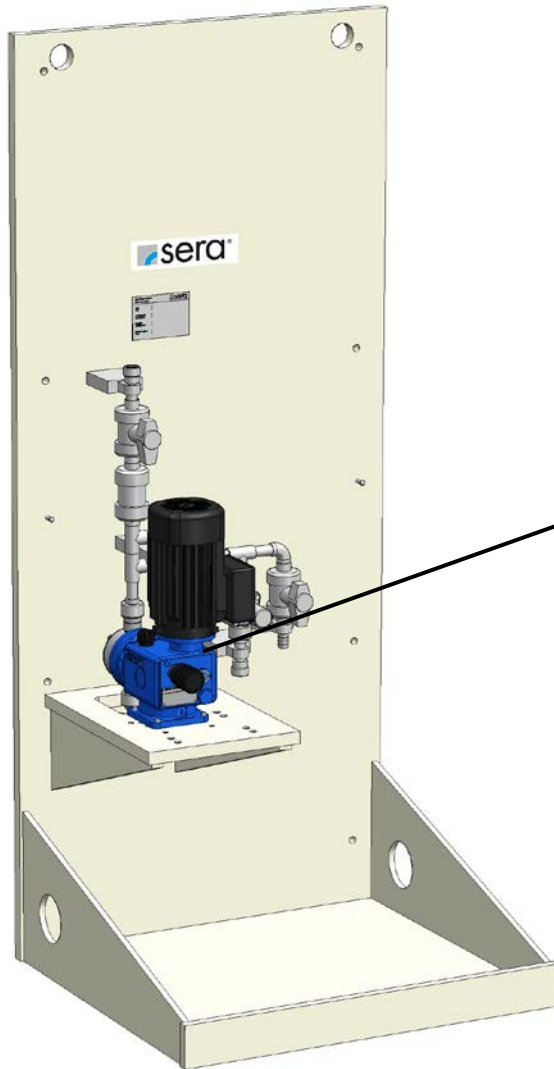
back

Main menu

3D Configurator CVD1



Please choose:



Solenoid Diaphragm Pump R204.1

Solenoid Diaphragm Pump C204.1

Diaphragm Pump R409.2

Diaphragm Pump C409.2

Diaphragm Pump R410.2

Diaphragm Pump C410.2

next

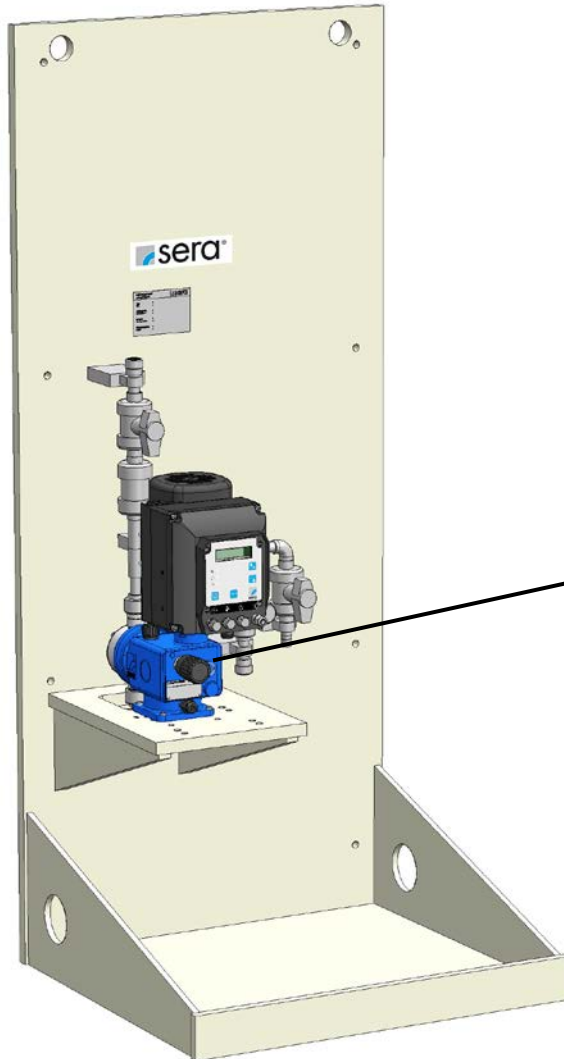
back

Main menu

3D Configurator CVD1



Please choose:



Solenoid Diaphragm Pump R204.1

Solenoid Diaphragm Pump C204.1

Diaphragm Pump R409.2

Diaphragm Pump C409.2

Diaphragm Pump R410.2

Diaphragm Pump C410.2

next

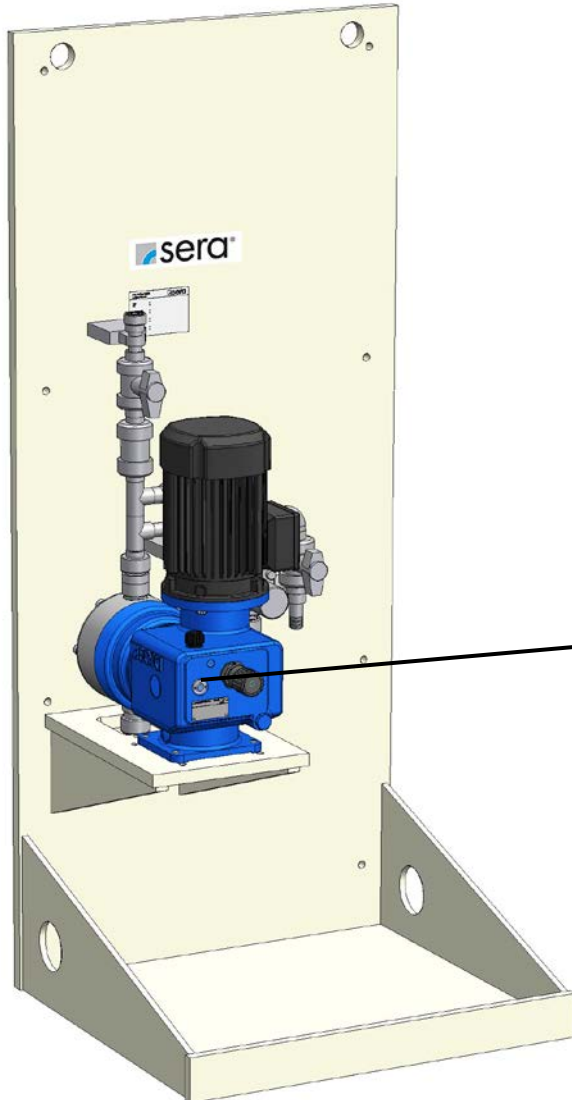
back

Main menu

3D Configurator CVD1



Please choose:



Solenoid Diaphragm Pump R204.1

Solenoid Diaphragm Pump C204.1

Diaphragm Pump R409.2

Diaphragm Pump C409.2

Diaphragm Pump R410.2

Diaphragm Pump C410.2

next

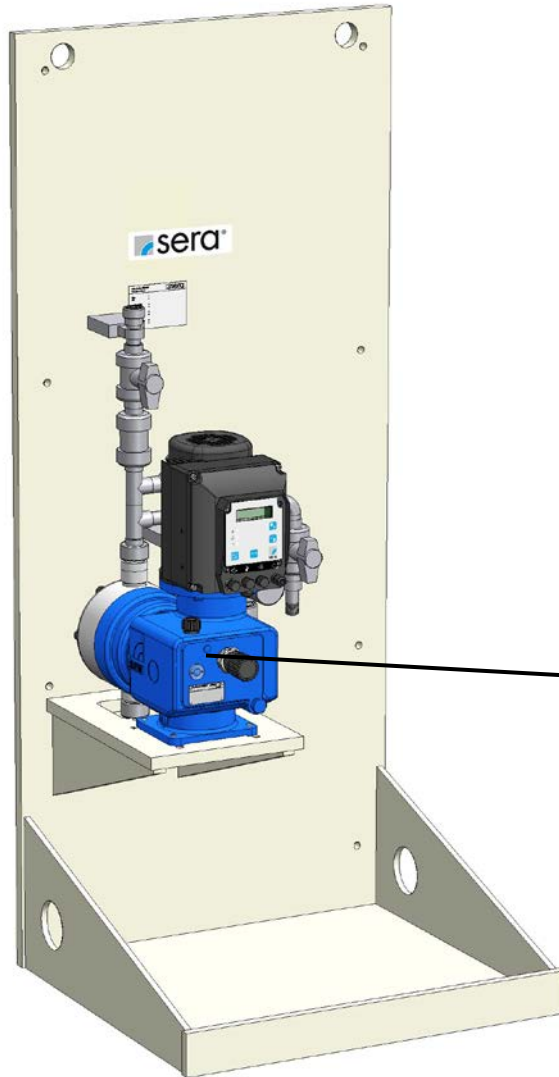
back

Main menu

3D Configurator CVD1



Please choose:



Solenoid Diaphragm Pump R204.1

Solenoid Diaphragm Pump C204.1

Diaphragm Pump R409.2

Diaphragm Pump C409.2

Diaphragm Pump R410.2

Diaphragm Pump C410.2

next

back

Main menu

3D Configurator CVD1



Please choose a configuration example:

**Pipe work pressure side and suction side, Pulsation damper,
Power outlet, Leakage sensor**

Pipe work pressure side and suction side, Splash guard

Pipe work pressure side and suction side, Pulsation damper

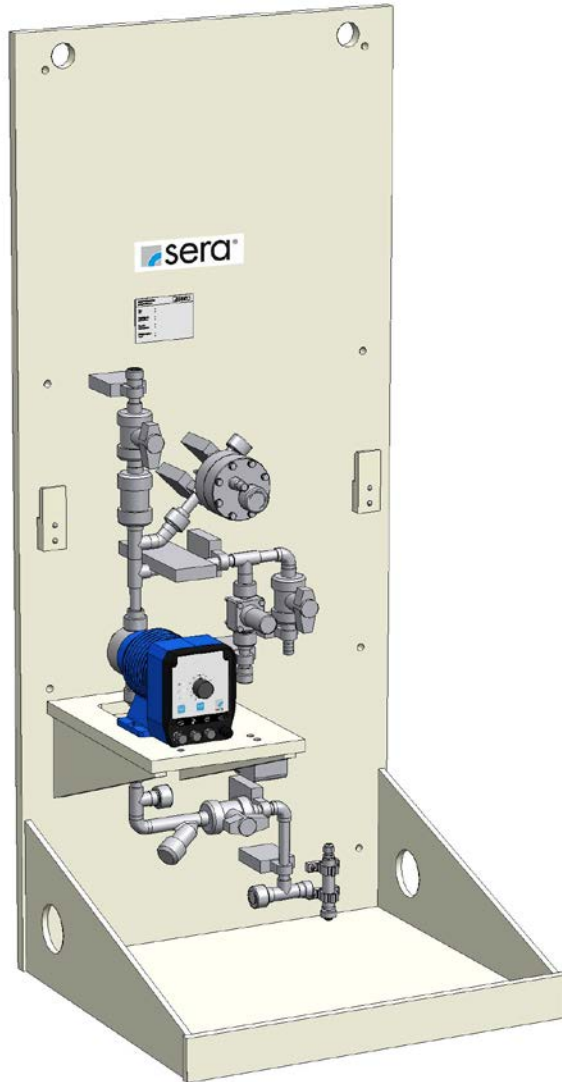
**Pipe work pressure side and suction side, Pulsation damper,
Splash guard**

Pipe work pressure side and suction side

back

Main menu

3D Configurator CVD1



Please choose a configuration example:

Pipe work pressure side and suction side, Pulsation damper, Power outlet, Leakage sensor

Pipe work pressure side and suction side, Splash guard

Pipe work pressure side and suction side, Pulsation damper

Pipe work pressure side and suction side, Pulsation damper, Splash guard

Pipe work pressure side and suction side

back

Main menu

3D Configurator CVD1



Please choose a configuration example:

**Pipe work pressure side and suction side, Pulsation damper,
Power outlet, Leakage sensor**

Pipe work pressure side and suction side, Splash guard

Pipe work pressure side and suction side, Pulsation damper

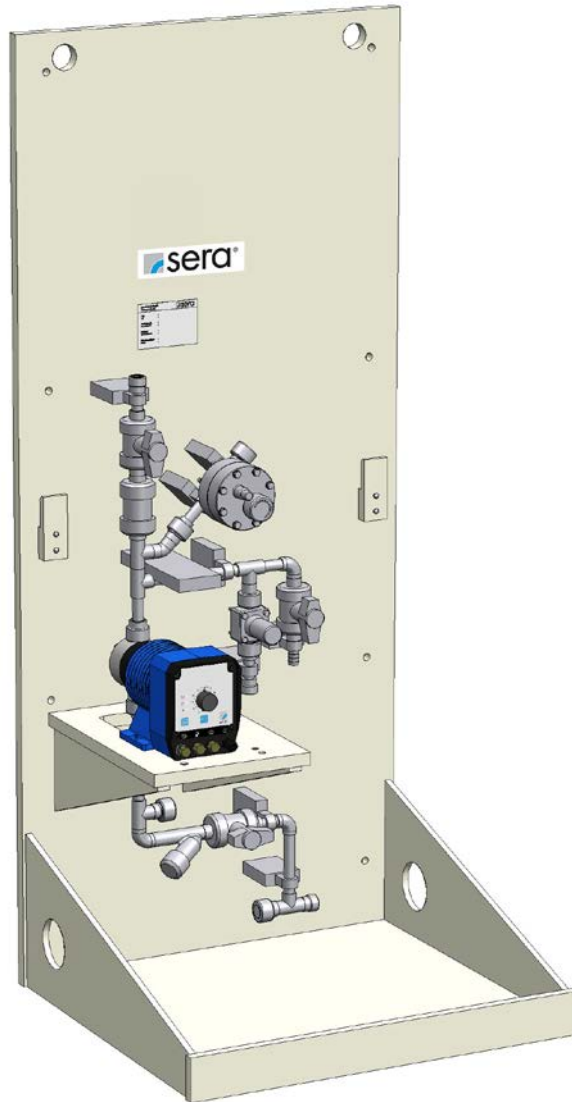
**Pipe work pressure side and suction side, Pulsation damper,
Splash guard**

Pipe work pressure side and suction side

back

Main menu

3D Configurator CVD1



Please choose a configuration example:

**Pipe work pressure side and suction side, Pulsation damper,
Power outlet, Leakage sensor**

Pipe work pressure side and suction side, Splash guard

Pipe work pressure side and suction side, Pulsation damper

**Pipe work pressure side and suction side, Pulsation damper,
Splash guard**

Pipe work pressure side and suction side

back

Main menu

3D Configurator CVD1



Please choose a configuration example:

**Pipe work pressure side and suction side, Pulsation damper,
Power outlet, Leakage sensor**

Pipe work pressure side and suction side, Splash guard

Pipe work pressure side and suction side, Pulsation damper

**Pipe work pressure side and suction side, Pulsation damper,
Splash guard**

Pipe work pressure side and suction side

back

Main menu

3D Configurator CVD1



Please choose a configuration example:

**Pipe work pressure side and suction side, Pulsation damper,
Power outlet, Leakage sensor**

Pipe work pressure side and suction side, Splash guard

Pipe work pressure side and suction side, Pulsation damper

**Pipe work pressure side and suction side, Pulsation damper,
Splash guard**

Pipe work pressure side and suction side

back

Main menu

3D Configurator CVD1



Please choose a configuration example:

**Pipe work pressure side and suction side, Pulsation damper,
Power outlet, Leakage sensor**

Pipe work pressure side and suction side, Splash guard

Pipe work pressure side and suction side, Pulsation damper

**Pipe work pressure side and suction side, Pulsation damper,
Splash guard**

Pipe work pressure side and suction side

back

Main menu

3D Configurator CVD1



Please choose a configuration example:

Pipe work pressure side and suction side, Pulsation damper, Power outlet, Leakage sensor

Pipe work pressure side and suction side, Splash guard

Pipe work pressure side and suction side, Pulsation damper

Pipe work pressure side and suction side, Pulsation damper, Splash guard

Pipe work pressure side and suction side

back

Main menu

3D Configurator CVD1



Please choose a configuration example:

Pipe work pressure side and suction side, Pulsation damper, Power outlet, Leakage sensor

Pipe work pressure side and suction side, Splash guard

Pipe work pressure side and suction side, Pulsation damper

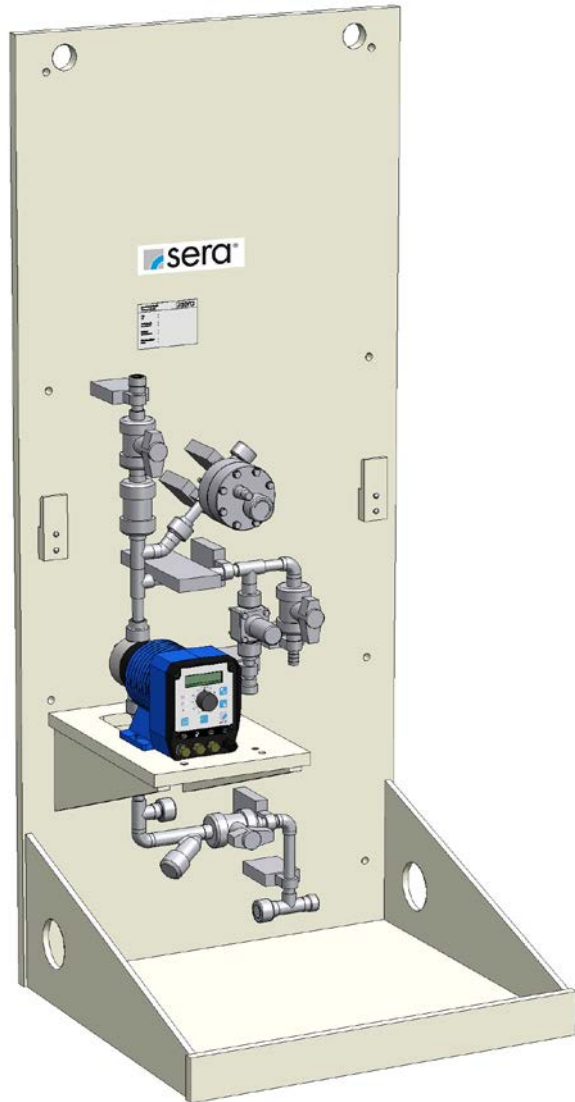
Pipe work pressure side and suction side, Pulsation damper, Splash guard

Pipe work pressure side and suction side

back

Main menu

3D Configurator CVD1



Please choose a configuration example:

Pipe work pressure side and suction side, Pulsation damper, Power outlet, Leakage sensor

Pipe work pressure side and suction side, Splash guard

Pipe work pressure side and suction side, Pulsation damper

Pipe work pressure side and suction side, Pulsation damper, Splash guard

Pipe work pressure side and suction side

back

Main menu

3D Configurator CVD1



Please choose a configuration example:

**Pipe work pressure side and suction side, Pulsation damper,
Power outlet, Leakage sensor**

Pipe work pressure side and suction side, Splash guard

Pipe work pressure side and suction side, Pulsation damper

**Pipe work pressure side and suction side, Pulsation damper,
Splash guard**

Pipe work pressure side and suction side

back

Main menu

3D Configurator CVD1



Please choose a configuration example:

Pipe work pressure side and suction side, Pulsation damper, Power outlet, Leakage sensor

Pipe work pressure side and suction side, Splash guard

Pipe work pressure side and suction side, Pulsation damper

Pipe work pressure side and suction side, Pulsation damper, Splash guard

Pipe work pressure side and suction side

back

Main menu

3D Configurator CVD1



Please choose a configuration example:

Pipe work pressure side and suction side, Pulsation damper, Power outlet, Leakage sensor

Pipe work pressure side and suction side, Splash guard

Pipe work pressure side and suction side, Pulsation damper

Pipe work pressure side and suction side, Pulsation damper, Splash guard

Pipe work pressure side and suction side

back

Main menu

3D Configurator CVD1



Please choose a configuration example:

Pipe work pressure side and suction side, Pulsation damper, Power outlet, Leakage sensor

Pipe work pressure side and suction side, Splash guard

Pipe work pressure side and suction side, Pulsation damper

Pipe work pressure side and suction side, Pulsation damper, Splash guard

Pipe work pressure side and suction side

back

Main menu

3D Configurator CVD1



Please choose a configuration example:

**Pipe work pressure side and suction side, Pulsation damper,
Power outlet, Leakage sensor**

Pipe work pressure side and suction side, Splash guard

Pipe work pressure side and suction side, Pulsation damper

**Pipe work pressure side and suction side, Pulsation damper,
Splash guard**

Pipe work pressure side and suction side

back

Main menu

3D Configurator CVD1



Please choose a configuration example:

Pipe work pressure side and suction side, Pulsation damper, Power outlet, Leakage sensor

Pipe work pressure side and suction side, Splash guard

Pipe work pressure side and suction side, Pulsation damper

Pipe work pressure side and suction side, Pulsation damper, Splash guard

Pipe work pressure side and suction side

back

Main menu

3D Configurator CVD1



Please choose a configuration example:

**Pipe work pressure side and suction side, Pulsation damper,
Power outlet, Leakage sensor**

Pipe work pressure side and suction side, Splash guard

Pipe work pressure side and suction side, Pulsation damper

**Pipe work pressure side and suction side, Pulsation damper,
Splash guard**

Pipe work pressure side and suction side

back

Main menu

3D Configurator CVD1



Please choose a configuration example:

Pipe work pressure side and suction side, Pulsation damper, Power outlet, Leakage sensor

Pipe work pressure side and suction side, Splash guard

Pipe work pressure side and suction side, Pulsation damper

Pipe work pressure side and suction side, Pulsation damper, Splash guard

Pipe work pressure side and suction side

back

Main menu

3D Configurator CVD1



Please choose a configuration example:

**Pipe work pressure side and suction side, Pulsation damper,
Power outlet, Leakage sensor**

Pipe work pressure side and suction side, Splash guard

Pipe work pressure side and suction side, Pulsation damper

**Pipe work pressure side and suction side, Pulsation damper,
Splash guard**

Pipe work pressure side and suction side

back

Main menu

3D Configurator CVD1



Please choose a configuration example:

**Pipe work pressure side and suction side, Pulsation damper,
Power outlet, Leakage sensor**

Pipe work pressure side and suction side, Splash guard

Pipe work pressure side and suction side, Pulsation damper

**Pipe work pressure side and suction side, Pulsation damper,
Splash guard**

Pipe work pressure side and suction side

back

Main menu

3D Configurator CVD1



Please choose a configuration example:

**Pipe work pressure side and suction side, Pulsation damper,
Power outlet, Leakage sensor**

Pipe work pressure side and suction side, Splash guard

Pipe work pressure side and suction side, Pulsation damper

**Pipe work pressure side and suction side, Pulsation damper,
Splash guard**

Pipe work pressure side and suction side

back

Main menu

3D Configurator CVD1



Please choose a configuration example:

Pipe work pressure side and suction side, Pulsation damper,
Power outlet, Leakage sensor

Pipe work pressure side and suction side, Splash guard

Pipe work pressure side and suction side, Pulsation damper

Pipe work pressure side and suction side, Pulsation damper,
Splash guard

Pipe work pressure side and suction side

back

Main menu

3D Configurator CVD1



Please choose a configuration example:

Pipe work pressure side and suction side, Pulsation damper,
Power outlet, Leakage sensor

Pipe work pressure side and suction side, Splash guard

Pipe work pressure side and suction side, Pulsation damper

Pipe work pressure side and suction side, Pulsation damper,
Splash guard

Pipe work pressure side and suction side

back

Main menu

3D Configurator CVD1



Please choose a configuration example:

Pipe work pressure side and suction side, Pulsation damper, Power outlet, Leakage sensor

Pipe work pressure side and suction side, Splash guard

Pipe work pressure side and suction side, Pulsation damper

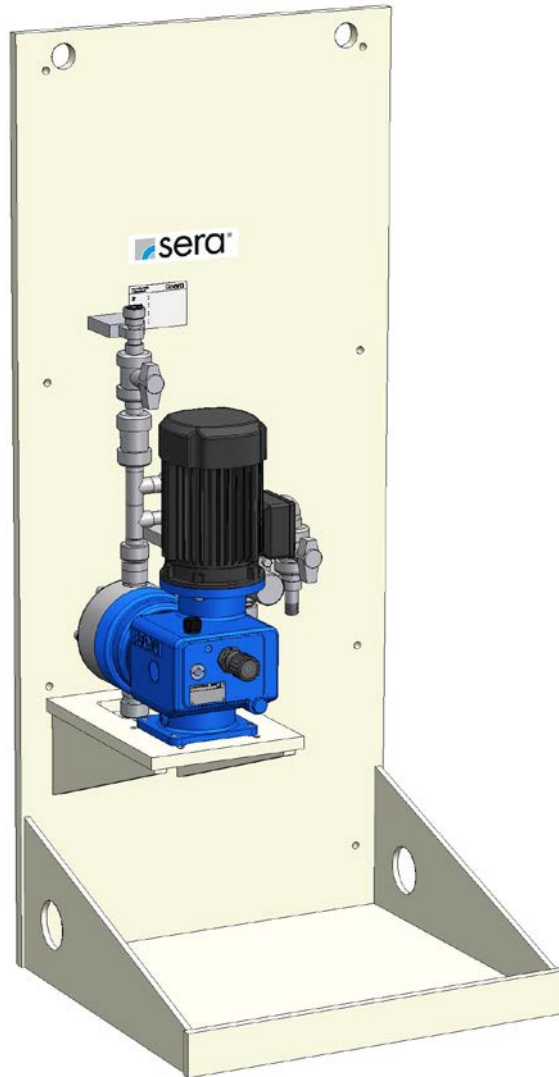
Pipe work pressure side and suction side, Pulsation damper, Splash guard

Pipe work pressure side and suction side

back

Main menu

3D Configurator CVD1



Please choose a configuration example:

Pipe work pressure side and suction side, Pulsation damper, Power outlet, Leakage sensor

Pipe work pressure side and suction side, Splash guard

Pipe work pressure side and suction side, Pulsation damper

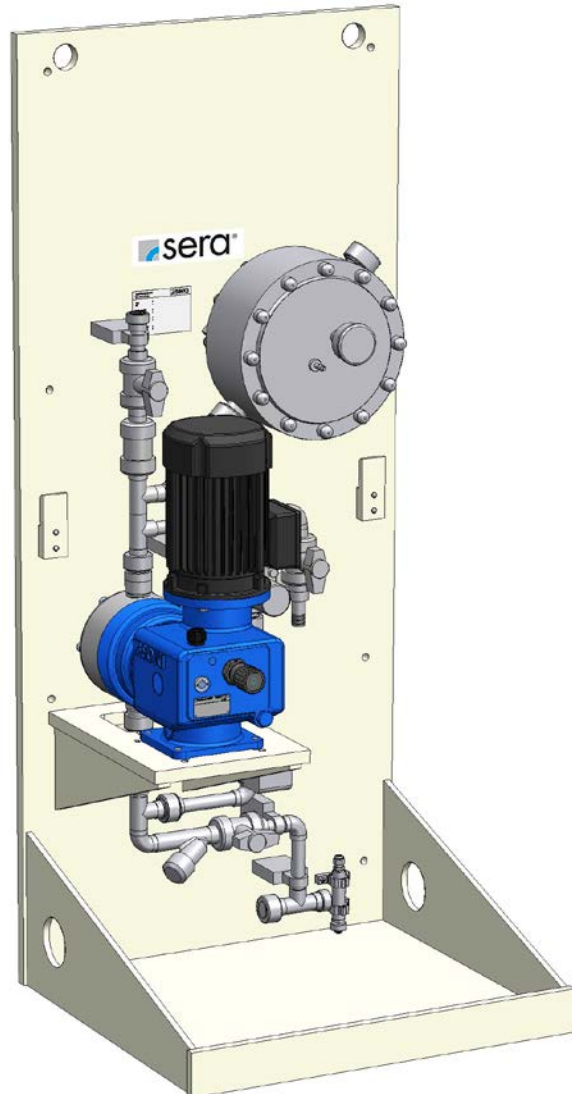
Pipe work pressure side and suction side, Pulsation damper, Splash guard

Pipe work pressure side and suction side

back

Main menu

3D Configurator CVD1



Please choose a configuration example:

**Pipe work pressure side and suction side, Pulsation damper,
Power outlet, Leakage sensor**

Pipe work pressure side and suction side, Splash guard

Pipe work pressure side and suction side, Pulsation damper

**Pipe work pressure side and suction side, Pulsation damper,
Splash guard**

Pipe work pressure side and suction side

back

Main menu

3D Configurator CVD1



Please choose a configuration example:

Pipe work pressure side and suction side, Pulsation damper, Power outlet, Leakage sensor

Pipe work pressure side and suction side, Splash guard

Pipe work pressure side and suction side, Pulsation damper

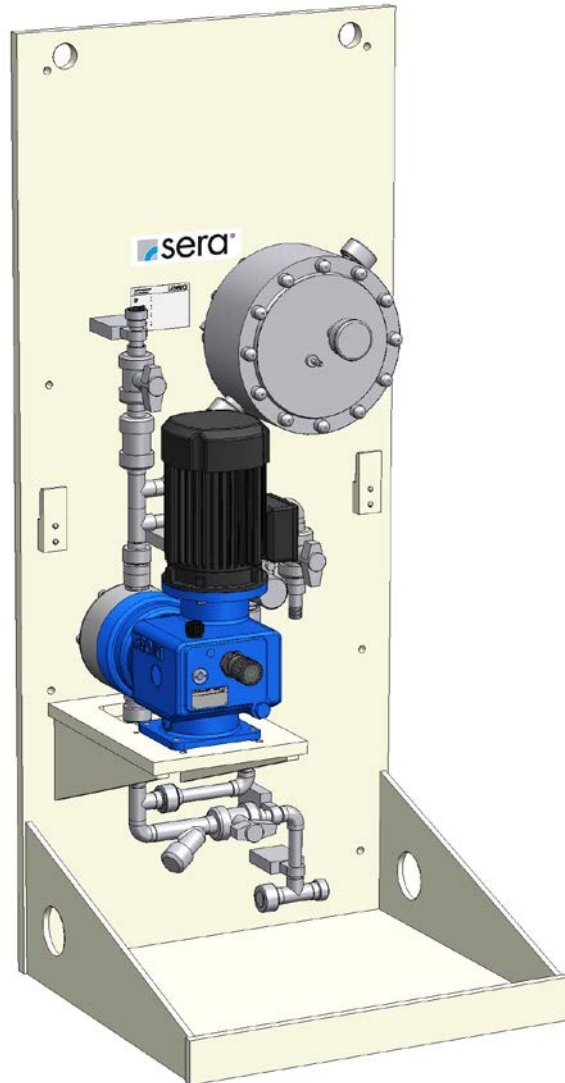
Pipe work pressure side and suction side, Pulsation damper, Splash guard

Pipe work pressure side and suction side

back

Main menu

3D Configurator CVD1



Please choose a configuration example:

Pipe work pressure side and suction side, Pulsation damper, Power outlet, Leakage sensor

Pipe work pressure side and suction side, Splash guard

Pipe work pressure side and suction side, Pulsation damper

Pipe work pressure side and suction side, Pulsation damper, Splash guard

Pipe work pressure side and suction side

back

Main menu

3D Configurator CVD1



Please choose a configuration example:

**Pipe work pressure side and suction side, Pulsation damper,
Power outlet, Leakage sensor**

Pipe work pressure side and suction side, Splash guard

Pipe work pressure side and suction side, Pulsation damper

**Pipe work pressure side and suction side, Pulsation damper,
Splash guard**

Pipe work pressure side and suction side

back

Main menu

3D Configurator CVD1



Please choose a configuration example:

Pipe work pressure side and suction side, Pulsation damper, Power outlet, Leakage sensor

Pipe work pressure side and suction side, Splash guard

Pipe work pressure side and suction side, Pulsation damper

Pipe work pressure side and suction side, Pulsation damper, Splash guard

Pipe work pressure side and suction side

back

Main menu

3D Configurator CVD1



Please choose a configuration example:

Pipe work pressure side and suction side, Pulsation damper, Power outlet, Leakage sensor

Pipe work pressure side and suction side, Splash guard

Pipe work pressure side and suction side, Pulsation damper

Pipe work pressure side and suction side, Pulsation damper, Splash guard

Pipe work pressure side and suction side

back

Main menu

3D Configurator CVD1



Please choose a configuration example:

**Pipe work pressure side and suction side, Pulsation damper,
Power outlet, Leakage sensor**

Pipe work pressure side and suction side, Splash guard

Pipe work pressure side and suction side, Pulsation damper

**Pipe work pressure side and suction side, Pulsation damper,
Splash guard**

Pipe work pressure side and suction side

back

Main menu

3D Configurator CVD1



Please choose a configuration example:

**Pipe work pressure side and suction side, Pulsation damper,
Power outlet, Leakage sensor**

Pipe work pressure side and suction side, Splash guard

Pipe work pressure side and suction side, Pulsation damper

**Pipe work pressure side and suction side, Pulsation damper,
Splash guard**

Pipe work pressure side and suction side

back

Main menu

3D Configurator CVD1



Please choose a configuration example:

**Pipe work pressure side and suction side, Pulsation damper,
Power outlet, Leakage sensor**

Pipe work pressure side and suction side, Splash guard

Pipe work pressure side and suction side, Pulsation damper

**Pipe work pressure side and suction side, Pulsation damper,
Splash guard**

Pipe work pressure side and suction side

back

Main menu

3D Configurator CVD1



Please choose a configuration example:

**Pipe work pressure side and suction side, Pulsation damper,
Power outlet, Leakage sensor**

Pipe work pressure side and suction side, Splash guard

Pipe work pressure side and suction side, Pulsation damper

**Pipe work pressure side and suction side, Pulsation damper,
Splash guard**

Pipe work pressure side and suction side

back

Main menu

3D Configurator CVD1



Please choose a configuration example:

Pipe work pressure side and suction side, Pulsation damper, Power outlet, Leakage sensor

Pipe work pressure side and suction side, Splash guard

Pipe work pressure side and suction side, Pulsation damper

Pipe work pressure side and suction side, Pulsation damper, Splash guard

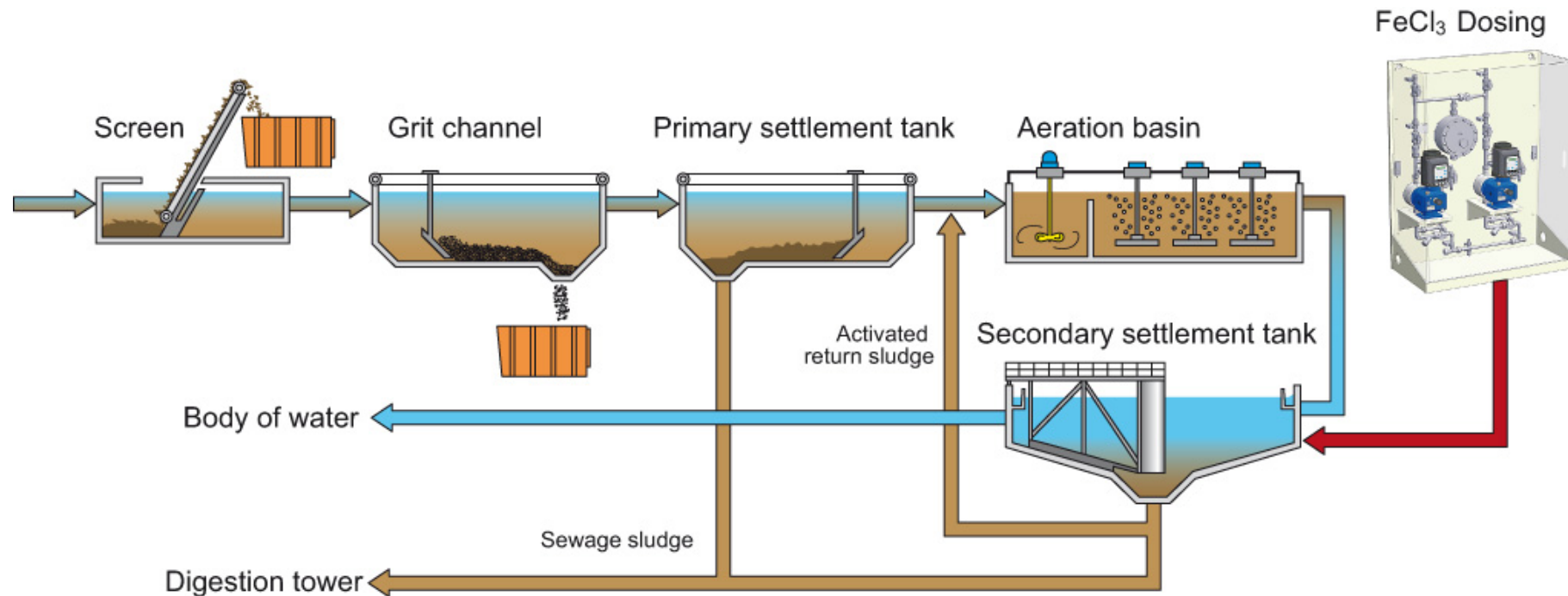
Pipe work pressure side and suction side

back

Main menu

Examples for applications

- Sewage treatment plant: Phosphate precipitation

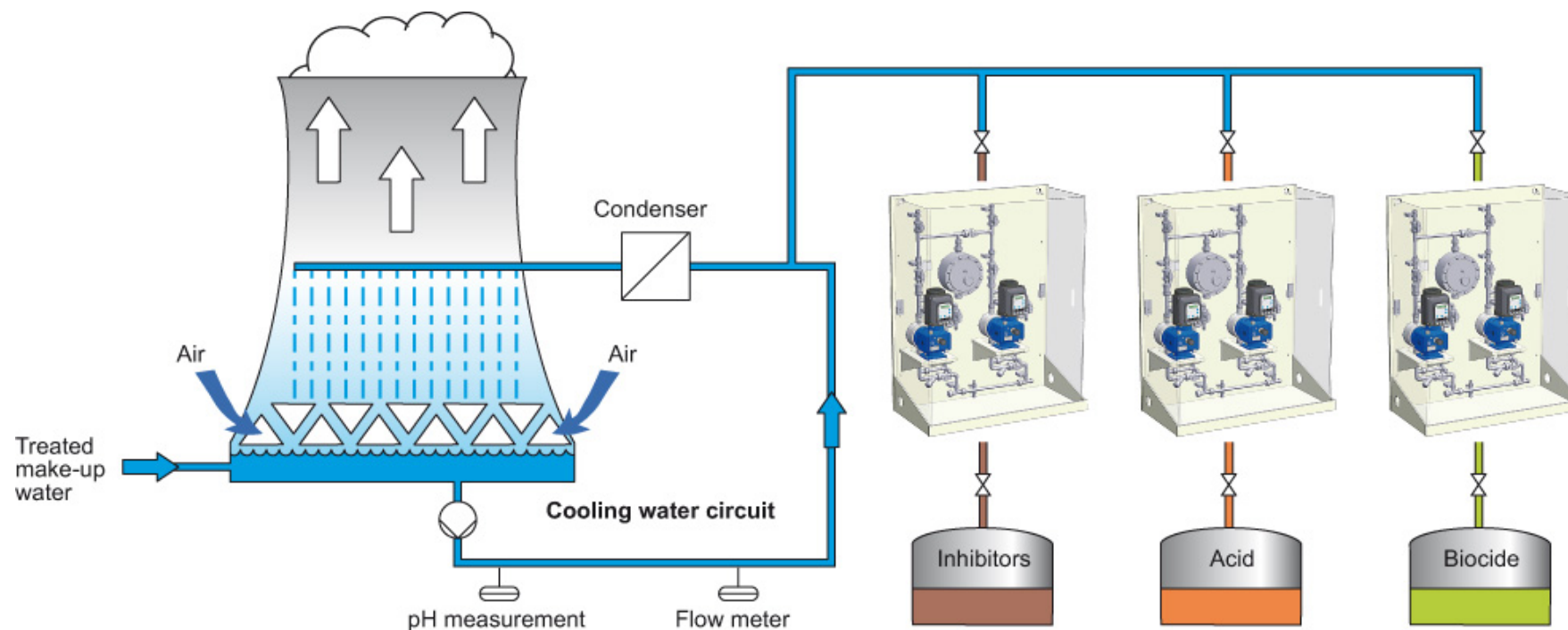


[next](#)

[Main menu](#)

Examples for applications

■ Treatment of cooling water



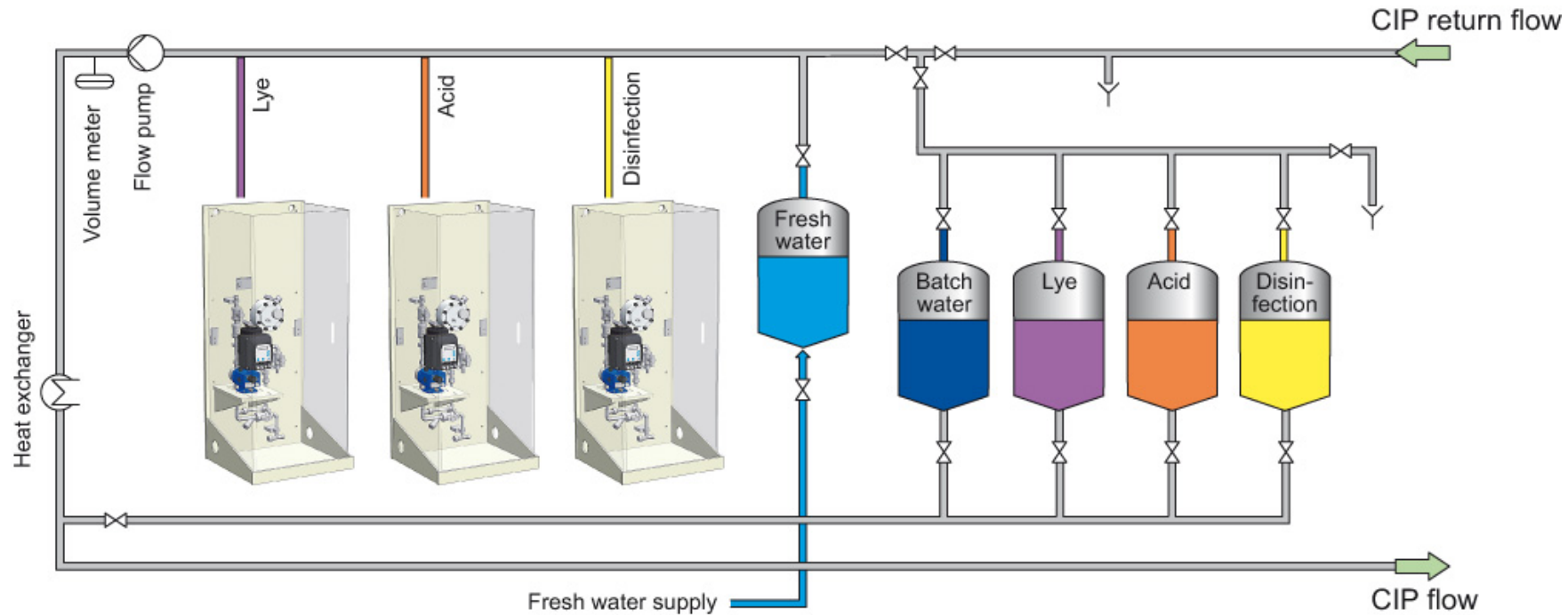
[back](#)

[next](#)

[Main menu](#)

Examples for applications

- CIP cleaning in the beverage and food industry



[back](#)

[next](#)

[Main menu](#)

Examples for applications



- Wastewater treatment plant: CVD1-60.1 with a R204.1 / Medium: Aluminium chloride



[back](#)

[next](#)

[Main menu](#)

Examples for applications



- Wastewater treatment plant: CVD2-60.1 with two C409.2 / Medium: Iron(III) Chloride



[back](#)

[next](#)

[Main menu](#)

Examples for applications



- Landfill leachate facility: CVD1-60.1 with a C409.2
Medium: NaOH



[back](#)

[next](#)

[Main menu](#)

Examples for applications



- **Brewery: CVD1-60.1 with a C409.2**
Medium: Nitric acid, caustic soda,
Anolyte dilution



[back](#)

[next](#)

[Main menu](#)

Examples for applications



- Beverage industry:
CVD1-550.1 with a C410.2
Medium: Disinfectant



[back](#)

[Main menu](#)

Extensive range of accessories

- Fittings / Pipe work
- Suction lances
- Storage tanks



[next](#)

[Main menu](#)

sera Compact Vertical Dosing System CVD



Benefit from our extensive competence in Pre-Sales and After-Sales Service:



- On-site installation and commissioning
- Repair service
- Quick spare part service
- Pump and system inspection with condition report
- Service hotline
- Technical Support
- Customer training

Main menu