

PLASTIC SPIRAL CASED CENTRIFUGAL PUMP SHB

Delivery volume up to 130 m³/h (1500 rpm)

Delivery height up to 42 m (3000 rpm)

Drive rating 0.37–11 kW

Operating temperature PP up to 80 °C

PVDF up to 110 °C

PE up to 60 °C

Fluid viscosity max. 160 mPas (cP)

Fluid density 1.9 kg/dm³

Explosion protection (ATEX) on request!



Features

- Horizontal single-stage spiral cased pump
- Shaft sealing through single or double acting mechanical seal
- Circulation, rinsing, quench or barrier medium depending on application
- Made of sturdy plastic components, ensuring excellent operating reliability even under extreme operating conditions
- Broad range of applications through diverse construction and material combinations
- Closed or semi-open impeller
- Impeller fastening independent of rotational direction with fluid-proof encapsulation
- Stainless steel screws (1.4301)
- Corrosion protection through 2-component protective paint

Priming

- The pump is not self-priming

Actuator

- Three-phase motor from 0.37–11 kW

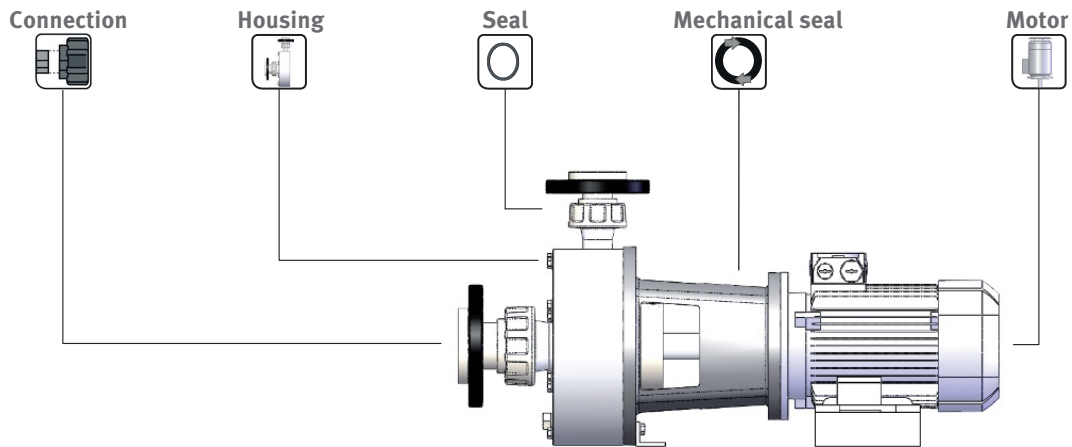
Tests

- Hydraulic acceptance test in accordance with DIN EN ISO 9906

www.stuebbe.com/en/products-systems/pumps/

Plastic spiral cased centrifugal pump SHB

Variants



SHB horizontal pumps


		15-60	20-100	25-125	32-125	32-180	40-125	40-180	50-180	100-200	
Delivery height, delivery volume (H₂O 3000 rpm 50 Hz)											
H _{max} (m) H ₂ O		9.20	15.50	21.00	30.00	40.00	30.00	40.00	40.00	12.00	
Q _{max} (m ³ /h) H ₂ O		5.10	6.90	12.50	26.50	26.50	35.00	39.00	78.00	127.00	
Housing											
	PP	✓	✓	✓	✓	✓	✓	✓	✓	✓	
	PVDF	✓	✓	✓	✓	✓	✓	✓	✓	✓	
	PE	✓	✓	✓	✓	✓	✓	✓	✓	✓	
Connection											
	Union DIN 8063	✓	✓	✓	✓	✓	✓	✓	✓	✓	
	Flange adapter DIN EN 1092	✓	✓	✓	✓	✓	✓	✓	✓	✓	
	Flange adapter ANSI	✓	✓	✓	✓	✓	✓	✓	✓	✓	
Seal											
	EPDM	✓	✓	✓	✓	✓	✓	✓	✓	✓	
	FPM	✓	✓	✓	✓	✓	✓	✓	✓	✓	
	FFKM	•	•	•	•	•	•	•	•	•	
Mechanical seal (single / double acting)											
	Sliding materials	SSiC / SSiC	✓	✓	✓	✓	✓	✓	✓	✓	
		SSiC / carbon	✓	✓	✓	✓	✓	✓	✓	✓	
Auxiliary seal	EPDM	✓	✓	✓	✓	✓	✓	✓	✓	✓	
	FPM	✓	✓	✓	✓	✓	✓	✓	✓	✓	
	FFKM	•	•	•	•	•	•	•	•	•	
Spring and construction materials	Stainless steel	✓	✓	✓	✓	✓	✓	✓	✓	✓	
	Hastelloy	✓	✓	✓	✓	✓	✓	✓	✓	✓	
Motor											
	3000/3600 rpm 50/60 Hz	50 Hz 60 Hz									
		0.37 kW	0.43 kW	✓							
		0.55 kW	0.63 kW	✓	✓						
		0.75 kW	0.86 kW		✓	✓					
		1.10 kW	1.27 kW		✓	✓					
		1.50 kW	1.75 kW			✓	✓	✓	✓		
		2.20 kW	2.55 kW			✓	✓	✓	✓		
		3.00 kW	3.45 kW				✓	✓	✓		
		4.00 kW	4.55 kW				✓	✓	✓	✓	
		5.50 kW	6.30 kW					✓	✓	✓	
	7.50 kW	8.60 kW					✓	✓	✓		
	11.00 kW	12.60 kW					✓	✓	✓		
	15.00 kW	17.30 kW					✓	✓	✓		
	18.50 kW	21.30 kW							✓		
	1500/1800 rpm 50/60 Hz	0.37 kW	0.43 kW	✓							
		0.55 kW	0.63 kW		✓						
		0.75 kW	0.86 kW			✓					
		1.10 kW	1.27 kW			✓	✓				
		1.50 kW	1.75 kW				✓	✓	✓		
		2.20 kW	2.55 kW						✓	✓	
3.00 kW		3.45 kW							✓		
4.00 kW		4.55 kW							✓		
5.50 kW		6.30 kW									
7.50 kW		8.60 kW								✓	
11.00 kW	12.60 kW								✓		
15.00 kW	17.30 kW								✓		
18.50 kW	21.30 kW								✓		

✓ = available as standard, • = available as an option / available on request

Plastic spiral cased centrifugal pump SHB

Accessories

Accessories

	15-60	20-100	25-125	32-125	32-180	40-125	40-180	50-180	100-200
Special voltage									
 Motor with special voltage	•	•	•	•	•	•	•	•	•
Frequency converter									
Pumps with attached frequency converter	•	•	•	•	•	•	•	•	•
Special version									
Sealing chamber	•	•	•	•	•	•	•	•	•
Quench	•	•	•	•	•	•	•	•	•
Paintwork									
Standard RAL 7016	✓	✓	✓	✓	✓	✓	✓	✓	✓
Other RAL colors	•	•	•	•	•	•	•	•	•
Special paintwork	•	•	•	•	•	•	•	•	•
Impeller									
Closed impeller	✓	✓	✓	✓	✓	✓	✓	✓	✓
Semi-open impeller	•	•	•	•	•	•	•	•	•
PE impeller	•	•	•	•	•	•	•	•	•
ATEX version									
Device category 2G (for use in zone 1)	•	•	•	•	•	•	•		
Device category 3G (for use in zone 2)	•	•	•	•	•	•	•	•	•

✓ = available as standard, • = available as an option / available on request

Application

- For conveying neutral, aggressive, groundwater endangering, toxic acids, alkalines or mixed solutions, provided that the pump components coming into contact with the fluids are resistant at the operating temperature according to the Stübbe resistance guide. Depending on the design of the mechanical seal, also suitable for crystallizing fluids and fluids with a low solid particle component.

Use

- Chemical industry
- Water treatment
- Electroplating plants
- Printed circuit board industry

Design

- Horizontal, mounted, single-stage pump with mechanical seal, not self-priming

Stübbe resistance guide

www.stuebbe.com/pdf_resistance/300051.pdf

Pump priming behavior

- The pump is not self-priming
- The pump is normal-priming and must be installed so that the conveyed fluid flows toward it.
- The pump can be converted into a self-priming pump by installing an additional self-priming container.
- Detailed documentation on the self-priming container is available on request.

Testing

- according to DIN EN ISO 9906

Size

- SHB 15-80 to SHB 100-200

Performance data

- see characteristics (pg. 9) and motor ratings (pg. 2)

Technical design

- Horizontal single-stage, single-flow spiral cased pump
- Block design, pump head flange-connected directly to motor via intermediate flange, standard motor (IEC standard)
- The shaft is connected to the pump drive motor as an insert shaft or a coupling
- Housing and impeller in PP, PE-HD or PVDF
- Stainless steel shaft for mounting the pump impeller with protective shaft sleeves made of plastic or carbon
- Use of corrosion-proof and wear-proof plastics such as polypropylene (PP), polyethylene (PE-HD) or polyvinylidene fluoride (PVDF)

Accessories

- Pump monitor: Pressure and temperature sensor PTM
- Container for self-priming

Connection

- Union DIN 8063 or
PP/steel flange DIN 1092 or
PP/steel flange ANSI

Actuator

- Three-phase motor according to IEC
- Voltage 230/400 V, 50/60 Hz
- Voltage 400/690 V, 50/60 Hz from 3 kW
- Model IM B34/B35, size-dependent
- Protection type IP 55
- Speed $n = 1500$ rpm or 3000 rpm
- Quick installation of the pump in the line system, no alignment of pump and motor required

Fluid temperature

- PP: up to 80 °C
- PE-HD: up to 60 °C
- PVDF: up to +110 °C

Viscosity

- Fluids up to approx. 160 mm²/s (kinematic viscosity)

Plastic spiral cased centrifugal pump SHB

Impeller

- Closed or semi-open radial impeller
- Impeller fastening independent of rotational direction using embedded metal hub and groove and feather key connection between impeller and shaft.
- Sealing of impeller fastening by means of plastic impeller cap with internal round sealing ring.

Shaft

- The particularly rigid pump shaft made of stainless steel ensures malfunction-free operation and creates ideal operating conditions for the mechanical seal.
- The shaft is connected to the pump drive motor as an insert shaft or a coupling.

Shaft sleeve

- PP, PVDF or PE-HD depending on the conveyed fluid.

Shaft seal

- Shaft sealing through single and double acting mechanical seal.
- Circulation, rinsing, quench or barrier medium depending on application.
- Sliding materials silicon carbide against silicon carbide (SIC/SIC). Round sealing rings and bellows made of FPM or CSM, metal components made of V4A as a standard or Hastelloy as an option. This combination is highly reliable and covers a wide range of applications.
- Other material combinations available on request.

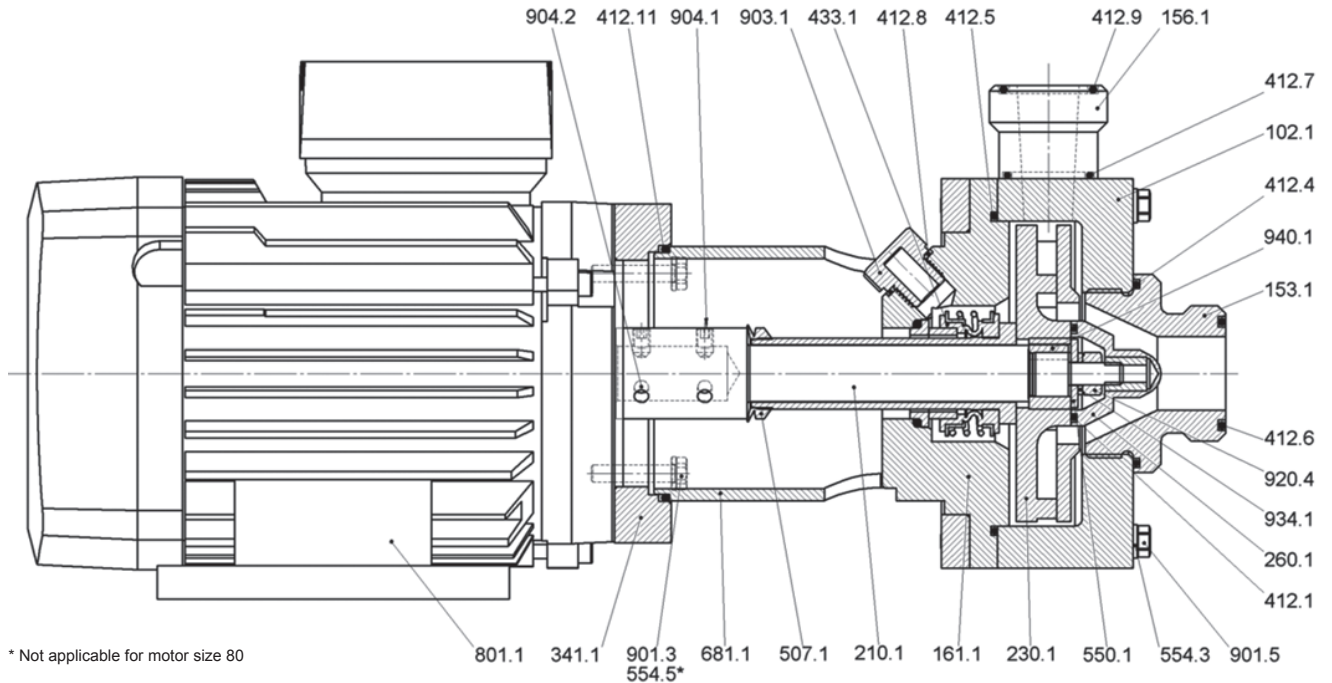
Coating

- Several layers of high-quality 2-component protective lacquer protect any metal components not made of stainless steel from corrosion.

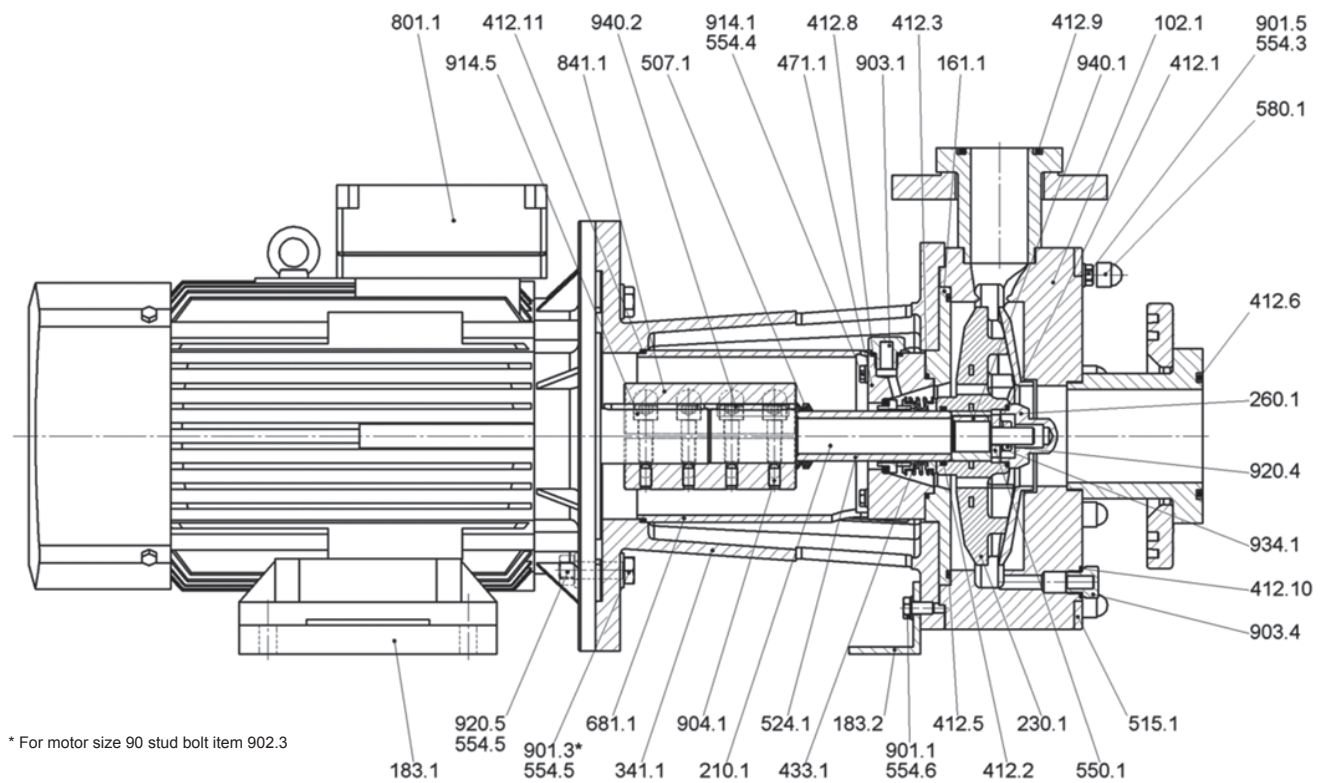
Screw connections

- Made of stainless steel as standard (1.4301)

Sectional drawing SHB 15-80 to 25-125



Sectional drawing SHB 32-125 to 100-200

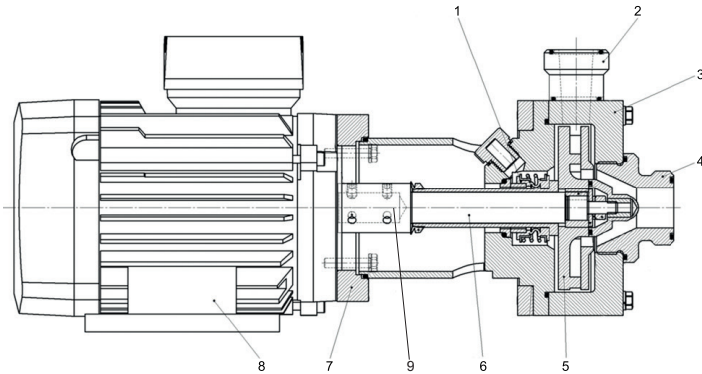


Plastic spiral cased centrifugal pump SHB

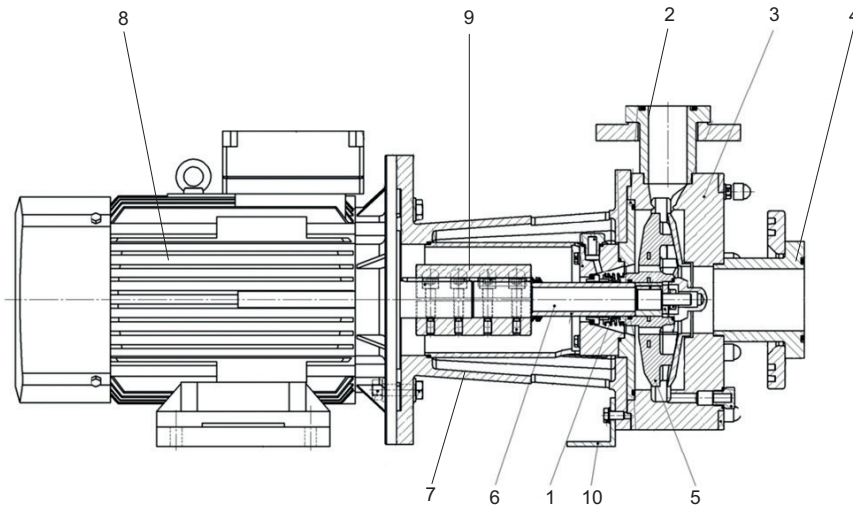
Item	Description
102.1	Spiral casing
153.1	Suction branch
156.1	Discharge flange
161.1	Housing cover
183.1	Spacer
183.2	Support foot
210.1	Shaft
230.1	Impeller with welded shaft sleeve
260.1	Impeller cap
341.1	Motor bell housing
412.1	O-ring
412.2	O-ring
412.3	O-ring
412.4	O-ring
412.5	O-ring
412.6	O-ring
412.7	O-ring
412.8	O-ring
412.9	O-ring
412.10	O-ring
412.11	O-ring
433.1	Mechanical seal
471.1	Sealing lid
515.1	Reinforcement ring
524.1	Shaft sleeve
507.1	Liquid splash ring

Item	Description
550.1	Washer
554.3	Disc
554.4	Disc
554.5	Disc
554.6	Disc
580.1	Protection cap
681.1	Coupling guard
801.1	Motor
841.1	Coupling
901.1	Hexagon head bolt
901.3	Hexagon head bolt
901.5	Hexagon head bolt
902.3	Stud bolt
903.1	Plug screw
903.4	Plug screw
904.1	Headless setscrew
904.2	Headless setscrew
914.1	Hexagon head bolt
914.5	Cylinder screw
920.1	Hexagon nut
920.4	Hexagon nut
920.5	Hexagon nut
934.1	Spring ring
940.1	Key
940.2	Key

Sectional drawing SHB 15-80 to 25-125



Sectional drawing SHB 32-125 to 100-200

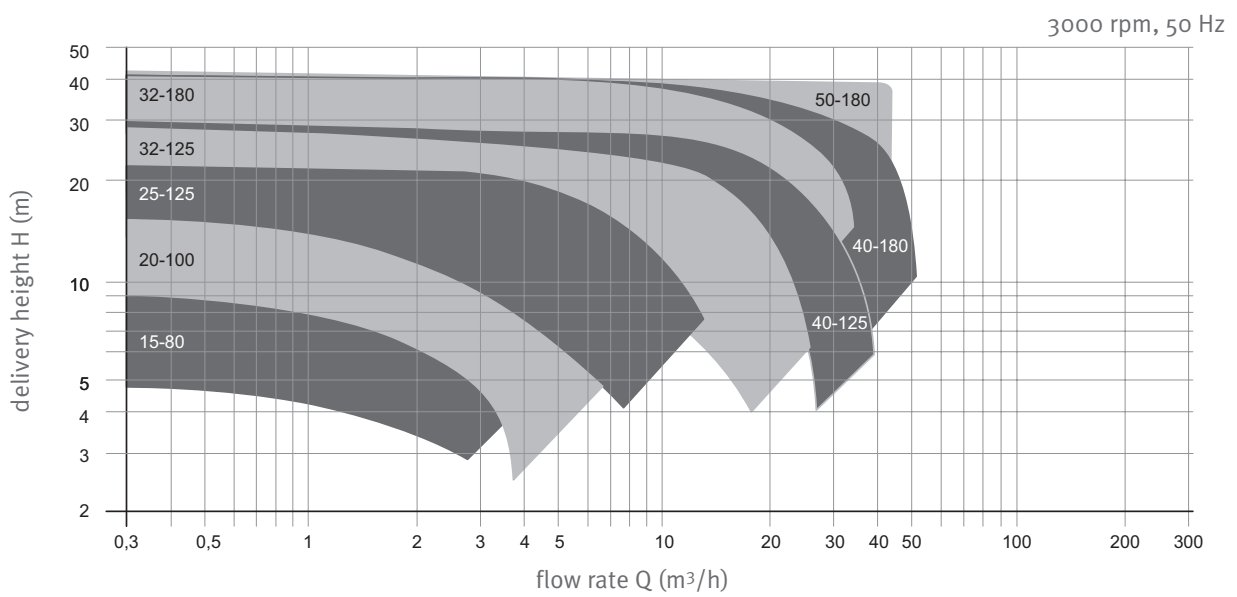
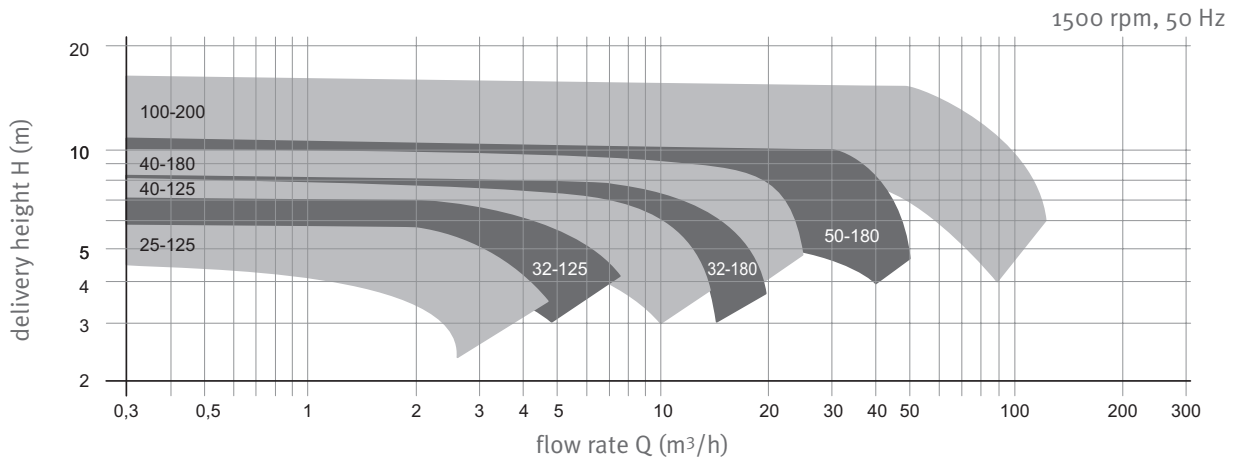


Item	Description
1	Mechanical seal
2	Discharge flange
3	Spiral casing
4	Suction branch
5	Impeller
6	Shaft
7	Motor bell housing
8	Motor
9	Coupling
10	Support foot

Plastic spiral cased centrifugal pump SHB

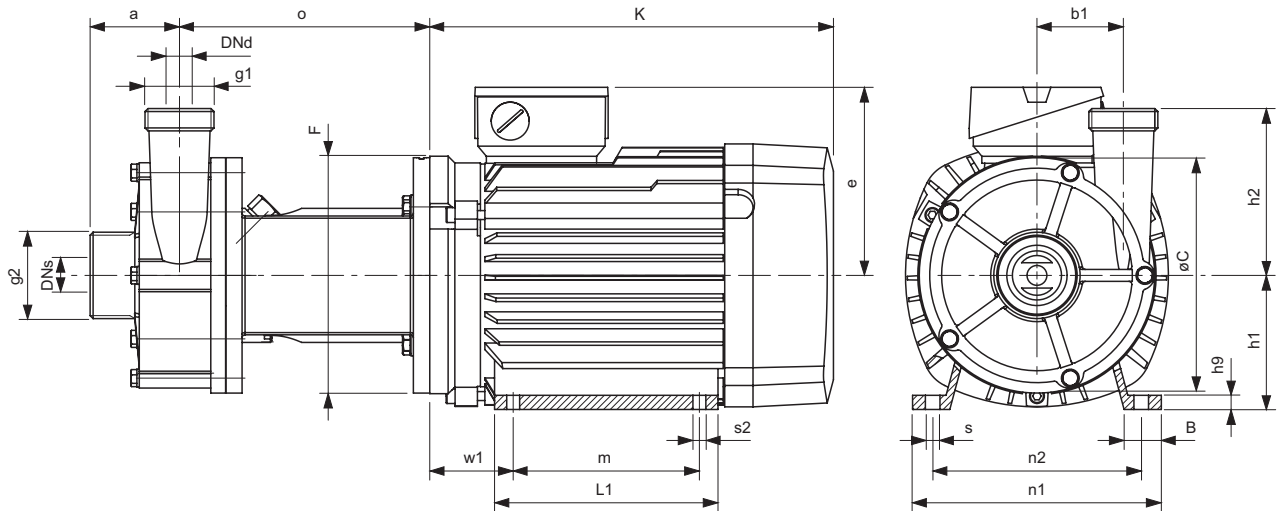
Characteristics and motor ratings

Characteristic curves

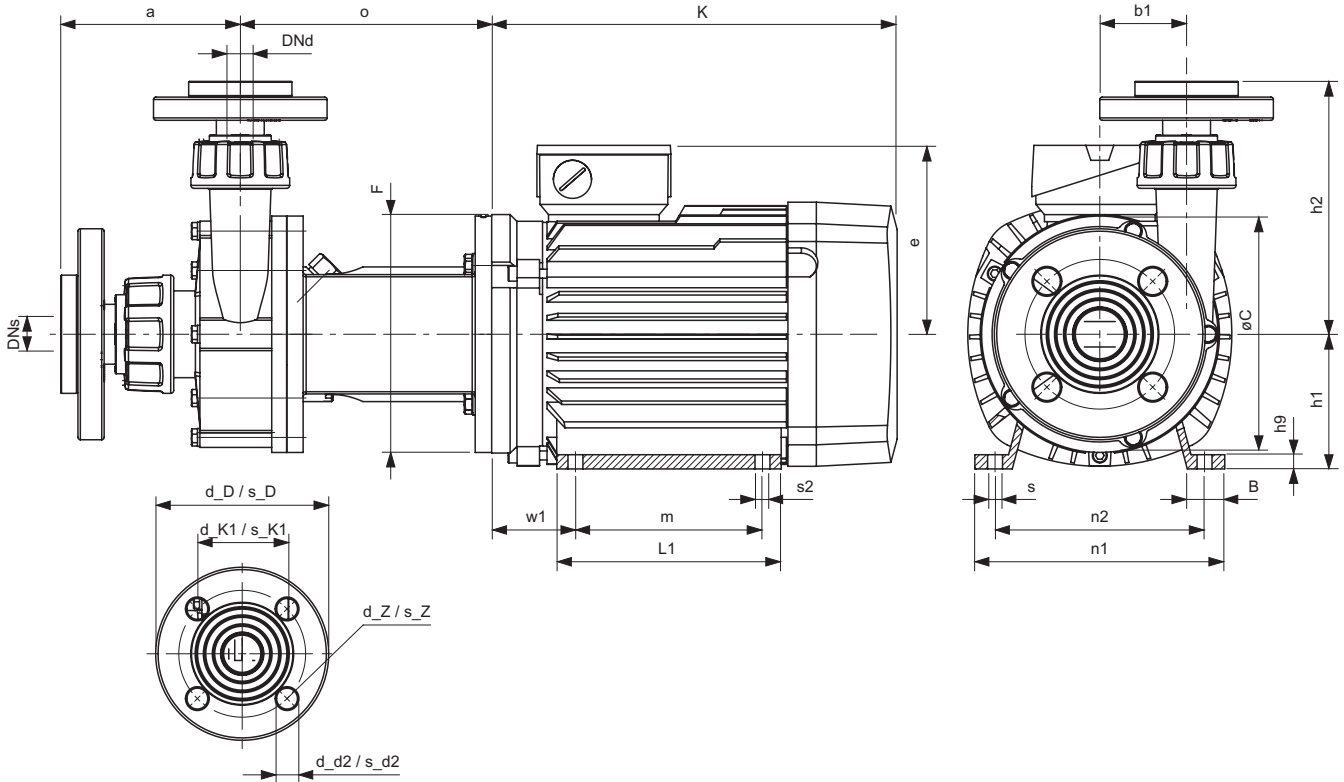


Pump dimensions for SHB 15-80 to 25-125

Threaded connector



Flange adapter



Plastic spiral cased centrifugal pump SHB

Dimensions

Dimensions: Threaded connector

Pump type	Pressure connection		Suction connection		Dimensions			
	DNd	g1 *	DNs	g2 *	a	b1	øC	h2
SHB 15-80	15	1	20	1 1/4	63	40	120	93
SHB 20-100	20	1 1/4	25	1 1/2	63	50	138	102
SHB 25-125	25	1 1/2	32	2	60	58	158	112

all dimensions in mm / * dimensions in inch

Dimensions: Flange adapter DIN

Pump type	Pressure connection					Suction connection					Dimensions			
	DNd	d_D	d_K1	d_d2	d_Z	DNs	s_D	s_K1	s_d2	s_Z	a	b1	øC	h2
SHB 15-80	15	95	65	14	4	20	106	75	14	4	115	40	120	141
SHB 20-100	20	106	75	14	4	25	116	85	14	4	120	50	138	154
SHB 25-125	25	116	85	14	4	32	141	100	18	4	120	58	158	169

all dimensions in mm

Dimensions: Flange adapter ANSI

Pump type	Pressure connection					Suction connection					Dimensions			
	DNd	d_D	d_K1	d_d2	d_Z	DNs	s_D	s_K1	s_d2	s_Z	a	b1	øC	h2
SHB 15-80	15	95	60	16	4	20	105	70	16	4	115	40	120	141
SHB 20-100	20	105	70	16	4	25	113	80	16	4	120	50	138	154
SHB 25-125	25	113	80	16	4	32	130	89	16	4	120	58	158	169

all dimensions in mm

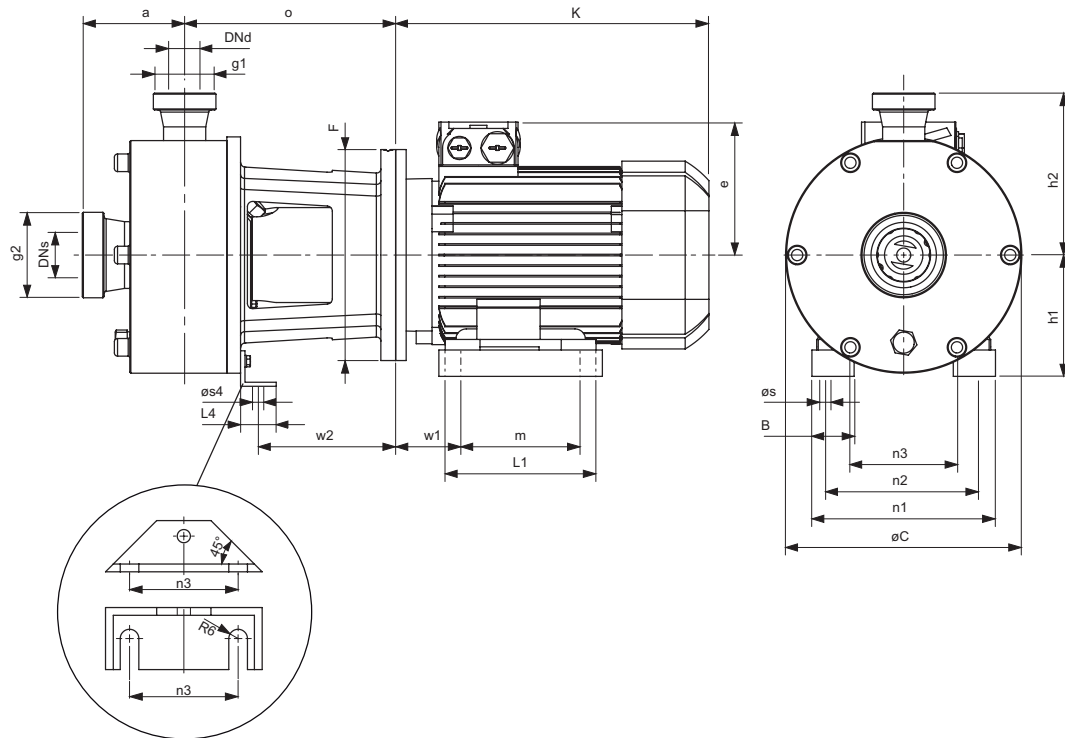
Dimensions

Pump type	IE class	Capacity kW	Rotational speed rpm	Motor size	e	B	F	h1	h9	K	L1	m	n1	n2	o	s	s2	w1	Pump weight (~kg)	Motor weight (~kg)	Total weight (~kg)
SHB 15-80	IE1	0.37	1450	71M	111	30.5	140	71	7	210	106	90	132	112	144	10.0	7.0	45.0	3.2	6.5	9.7
	IE1	0.37	2900	71M	111	30.5	140	71	7	210	106	90	132	112	144	10.0	7.0	45.0	3.2	4.5	7.7
	IE1	0.55	2900	71M	111	30.5	140	71	7	210	106	90	132	112	144	10.0	7.0	45.0	3.2	6.5	9.7
SHB 20-100	IE1	0.55	1450	80M	121	30.5	160	80	8	252	118	100	150	125	154	13.5	9.5	49.5	3.9	10	13.9
	IE1	0.55	2900	71M	111	30.5	140	71	7	210	106	90	132	112	144	10.0	7.0	45.0	3.6	6.5	10.1
	IE3	0.75	2900	80M	121	30.5	160	80	8	252	118	100	150	125	154	13.5	9.5	49.5	3.9	9	12.9
	IE3	1.10	2900	80M	121	30.5	160	80	8	287	118	100	150	125	154	13.5	9.5	49.5	3.9	11	14.9
SHB 25-125	IE3	0.75	1450	80M	121	30.5	160	80	8	287	118	100	150	125	168	13.5	9.5	49.5	5.2	11	16.2
	IE3	1.10	1450	90S	126	30.5	160	90	10	297	143	100	165	140	168	14.0	10.0	56.0	5.2	13	18.2
	IE3	0.75	2900	80M	121	30.5	160	80	8	252	118	100	150	125	168	13.5	9.5	49.5	5.2	9	14.2
	IE3	1.10	2900	80M	121	30.5	160	80	8	287	118	100	150	125	168	13.5	9.5	49.5	5.2	11	16.2
	IE3	1.50	2900	90S	126	30.5	160	90	10	297	143	100	165	140	168	14.0	10.0	56.0	5.2	13	18.2
	IE3	2.20	2900	90L	126	30.5	160	90	10	337	143	125	165	140	168	14.0	10.0	56.0	5.2	15	20.2

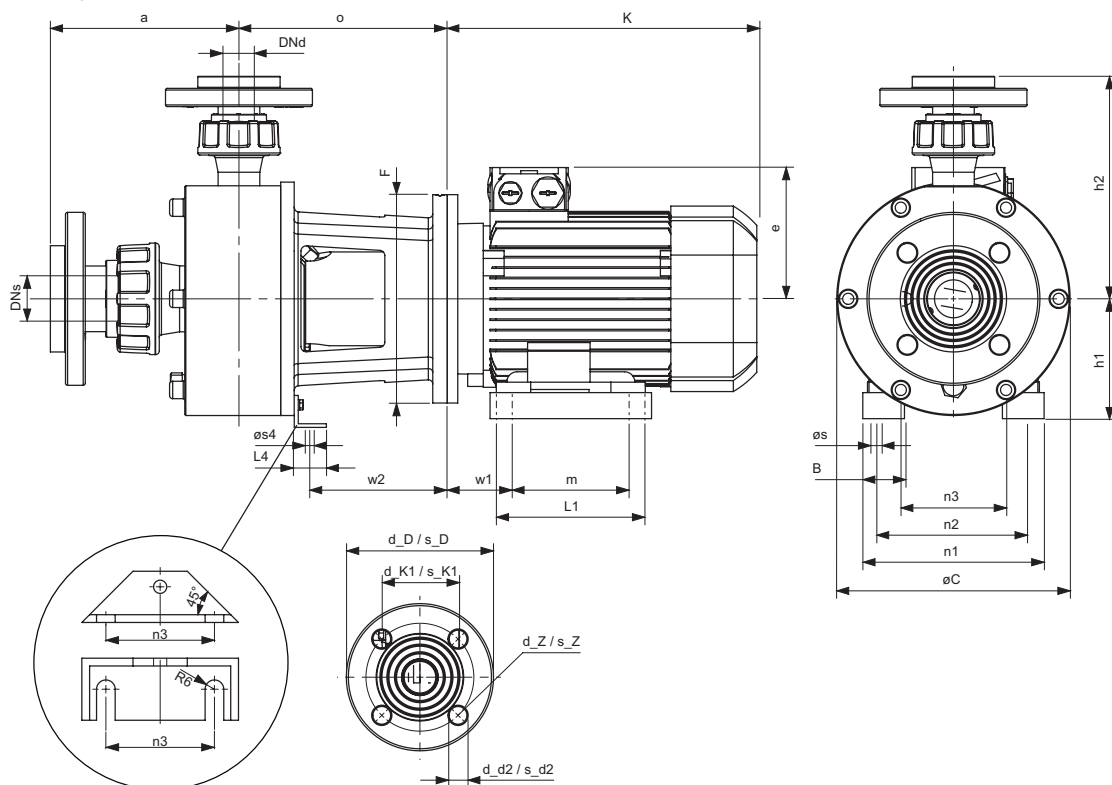
all dimensions in mm

Pump dimensions for SHB 32-125 to 100-200

Threaded connector



Flange adapter



Plastic spiral cased centrifugal pump SHB

Dimensions

Dimensions: Threaded connector

Pump type	Pressure connection		Suction connection		Dimensions		
	DNd	g1 *	DNs	g2 *	a	øC	h2
SHB 32-125	32	2	50	2 3/4	97.0	224	153.5
SHB 40-125	40	2 1/4	65	3 1/2	97.5	224	149.0
SHB 32-180	32	2	50	2 3/4	106.0	270	176.5
SHB 40-180	40	2 1/4	65	3 1/2	106.0	270	177.5

all dimensions in mm / * dimensions in inch

Dimensions: Flange adapter DIN

Pump type	Pressure connection					Suction connection					Dimensions		
	DNd	d_D	d_K1	d_d2	d_Z	DNs	s_D	s_K1	s_d2	s_Z	a	øC	h2
SHB 32-125	32	141	100	18	4	50	166	125	18	4	181.0	224	213.5
SHB 40-125	40	151	110	18	4	65	186	145	18	4	193.5	224	219.0
SHB 32-180	32	141	100	18	4	50	166	125	18	4	190.0	270	236.5
SHB 40-180	40	151	110	18	4	65	186	145	18	4	202.0	270	247.5
SHB 50-180	50	166	125	18	4	80	201	160	18	8	146.0	300	223.0
SHB 100-200	100	221	180	18	8	150	286	240	22	8	170.0	340	245.0

all dimensions in mm

Dimensions: Flange adapter ANSI

Pump type	Pressure connection					Suction connection					Dimensions		
	DNd	d_D	d_K1	d_d2	d_Z	DNs	s_D	s_K1	s_d2	s_Z	a	øC	h2
SHB 32-125	32	130	89.0	16	4	50	160	121	20	4	181.0	224	213.5
SHB 40-125	40	133	98.0	16	4	65	180	140	19	4	193.5	224	219.0
SHB 32-180	32	130	89.0	16	4	50	160	121	20	4	190.0	270	236.5
SHB 40-180	40	133	98.0	16	4	65	180	140	19	4	202.0	270	247.5
SHB 50-180	50	160	121.0	20	4	80	190	152	19	4	146.0	300	223.0
SHB 100-200	100	229	190.5	19	8	150	279	241	22	8	170.0	340	245.0

all dimensions in mm

Plastic spiral cased centrifugal pump SHB

Dimensions

Dimensions

Pump type	IE class	Capacity kW	Rotational speed rpm	Motor size	B	e	F	h1	h9	K	L1	L4	m	n1	n2	n3	o	Øs	Øs4	w1	w2
SHB 32-125	IE3	1.1	2900	80	30.5	121	200	115	8	287	118	-	100	150	125	-	200	10	-	50	-
	IE3	1.1	1450	90S	30.5	126	200	115	10	297	143	-	100	165	140	-	200	10	-	56	-
	IE3	1.5	1450	90L	30.5	126	200	115	10	337	143	-	125	165	140	-	200	10	-	56	-
	IE3	1.5	2900	90S	30.5	126	200	115	10	297	143	-	100	165	140	-	200	10	-	56	-
	IE3	2.2	2900	90L	30.5	126	200	115	10	337	143	-	125	165	140	-	200	10	-	56	-
	IE3	3.0	2900	100L	42.0	166	250	127	12	370.5	176	-	140	196	160	-	210	12	-	63	-
	IE3	4.0	2900	112M	46.0	177	250	127	12	354	176	-	140	226	190	-	210	12	-	70	-
SHB 40-125	IE3	1.5	1450	90L	30.5	126	200	115	10	337	143	-	125	165	140	-	202.5	10	-	56	-
	IE3	1.5	2900	90S	30.5	126	200	115	10	297	143	-	100	165	140	-	202.5	10	-	56	-
	IE3	2.2	2900	90L	30.5	126	200	115	10	337	143	-	125	165	140	-	202.5	10	-	56	-
	IE3	3.0	2900	100L	42.0	166	250	127	12	370.5	176	-	140	196	160	-	212.5	12	-	63	-
	IE3	4.0	2900	112M	46.0	177	250	127	12	354	176	-	140	226	190	-	212.5	12	-	70	-
SHB 32-180	IE3	1.5	1450	90L	30.5	126	200	136	10	337	143	40	125	165	140	70	249	10	12	56	175
	IE3	1.5	2900	90S	30.5	126	200	136	10	297	143	40	100	165	140	70	249	10	12	56	175
	IE3	2.2	2900	90L	30.5	126	200	136	10	337	143	40	125	165	140	70	249	10	12	56	175
	IE3	3.0	2900	100L	42.0	166	250	136	12	370.5	176	40	140	196	160	70	259	12	12	63	185
	IE3	4.0	2900	112M	46.0	177	250	136	12	354	176	40	140	226	190	70	259	12	12	70	185
	IE3	5.5	2900	132S	53.0	202	300	152	15	385	218	50	140	256	216	110	279	12	14	89	205
	IE3	7.5	2900	132S	53.0	202	300	152	15	435	218	50	140	256	216	110	279	12	14	89	205
	IE3	11.0	2900	160M	60.0	237	350	175	18	494	300	50	210	300	254	110	309	15	14	108	235
	IE3	15.0	2900	160M	60.0	237	350	175	18	494	300	50	210	300	254	110	309	15	14	108	235
SHB 40-180	IE3	1.5	1450	90L	30.5	126	200	136	10	337	143	40	125	165	140	70	252	10	12	56	175
	IE3	2.2	1450	100L	42.0	166	250	136	12	370.5	176	40	140	196	160	70	262	12	12	63	185
	IE3	1.5	2900	90S	30.5	126	200	136	10	297	143	40	100	165	140	70	252	10	12	56	175
	IE3	2.2	2900	90L	30.5	126	200	136	10	337	143	40	125	165	140	70	252	10	12	56	175
	IE3	3.0	2900	100L	42.0	166	250	136	12	370.5	176	40	140	196	160	70	262	12	12	63	185
	IE3	4.0	2900	112M	46.0	177	250	136	12	354	176	40	140	226	190	70	262	12	12	70	185
	IE3	5.5	2900	132S	53.0	202	300	152	15	385	218	50	140	256	216	110	282	12	14	89	205
	IE3	7.5	2900	132S	53.0	202	300	152	15	435	218	50	140	256	216	110	282	12	14	89	205
	IE3	11.0	2900	160M	60.0	237	350	175	18	494	300	50	210	300	254	110	312	15	14	108	235
	IE3	15.0	2900	160M	60.0	237	350	175	18	494	300	50	210	300	254	110	312	15	14	108	235
SHB 50-180	IE3	2.2	1450	100L	42.0	166	250	152	12	370.5	176	50	140	196	160	110	269	12	14	63	185
	IE3	3.0	1450	100L	42.0	166	250	152	12	370.5	176	50	140	196	160	110	269	12	14	63	185
	IE3	4.0	1450	112M	46.0	177	250	152	12	354	176	50	140	226	190	110	269	12	14	70	185
	IE3	4.0	2900	112M	46.0	177	250	152	12	354	176	50	140	226	190	110	269	12	14	70	185
	IE3	5.5	2900	132S	53.0	202	300	152	15	385	218	50	140	256	216	110	289	12	14	89	205
	IE3	7.5	2900	132S	53.0	202	300	152	15	435	218	50	140	256	216	110	289	12	14	89	205
	IE3	11.0	2900	160M	60.0	237	350	175	18	494	300	50	210	300	254	110	319	15	14	108	235
	IE3	15.0	2900	160M	60.0	237	350	175	18	494	300	50	210	300	254	110	319	15	14	108	235
	IE3	18.5	2900	160L	60.0	237	350	175	18	554	300	50	254	300	254	110	319	15	14	108	235
SHB 100-200	IE3	7.5	1450	132M	53.0	202	300	172	15	435	218	50	178	256	216	110	310	12	14	89	205
	IE3	11.0	1450	160M	60.0	237	350	175	18	494	300	50	210	300	254	110	340	15	14	108	235
	IE3	15.0	1450	160L	60.0	237	350	175	18	554	300	50	254	300	254	110	340	15	14	108	235

all dimensions in mm

Plastic spiral cased centrifugal pump SHB

Dimensions

Dimensions

Pump type	IE class	Capacity kW	Rotational speed rpm	Motor size	Pump weight (~kg)	Motor weight (~kg)	Total weight (~kg)
SHB 32-125	IE3	1.1	2900	80	16.3	11	27.3
	IE3	1.1	1450	90S	16.3	13	29.3
	IE3	1.5	1450	90L	16.3	16	32.3
	IE3	1.5	2900	90S	16.3	13	29.3
	IE3	2.2	2900	90L	16.3	16	32.3
	IE3	3	2900	100L	18.4	26	44.4
	IE3	4	2900	112M	18.4	34	52.4
SHB 40-125	IE3	1.5	1450	90L	16.7	16	32.7
	IE3	1.5	2900	90S	16.7	13	29.7
	IE3	2.2	2900	90L	16.7	16	32.7
	IE3	3	2900	100L	18.8	26	44.8
	IE3	4	2900	112M	18.8	34	52.8
SHB 32-180	IE3	1.5	1450	90L	25.8	16	41.8
	IE3	1.5	2900	90S	25.8	13	38.8
	IE3	2.2	2900	90L	25.8	16	41.8
	IE3	3	2900	100L	27.2	26	53.2
	IE3	4	2900	112M	27.2	34	61.2
	IE3	5.5	2900	132S	31.3	43	74.3
	IE3	7.5	2900	132S	31.3	57	88.3
	IE3	11	2900	160M	38.3	75	113.3
	IE3	15	2900	160M	38.3	84	122.3
SHB 40-180	IE3	1.5	1450	90L	26.2	16	42.2
	IE3	2.2	1450	100L	27.6	30	57.6
	IE3	1.5	2900	90S	26.2	16	42.2
	IE3	2.2	2900	90L	26.2	16	42.2
	IE3	3	2900	100L	27.6	26	53.6
	IE3	4	2900	112M	27.6	34	61.6
	IE3	5.5	2900	132S	31.7	43	74.7
	IE3	7.5	2900	132S	31.7	57	88.7
	IE3	11	2900	160M	38.7	75	113.7
	IE3	15	2900	160M	38.7	84	122.7
SHB 50-180	IE3	2.2	1450	100L	32.3	30	62.3
	IE3	3	1450	100L	32.3	30	62.3
	IE3	4	1450	112M	32.3	34	66.3
	IE3	4	2900	112M	32.3	34	66.3
	IE3	5.5	2900	132S	36.5	43	79.5
	IE3	7.5	2900	132S	36.5	57	93.5
	IE3	11	2900	160M	43.5	75	118.5
	IE3	15	2900	160M	43.5	84	127.5
	IE3	18.5	2900	160L	43.5	94	137.5
SHB 100-200	IE3	7.5	1450	132M	50	64	114
	IE3	11	1450	160M	57	83	140
	IE3	15	1450	160L	57	100	157

all dimensions in mm