

# APEX EMF End-suction Mixed Flow Pumps

EMF pumps have been designed for efficiently handling large volumes of water at low and medium heads.

## FEATURES

- ◆ Heavy duty construction
- ◆ Stable head-capacity
- ◆ Multiple suction and discharge arrangements
- ◆ Oil lubricated bearing option

## BENEFITS

- ◆ Supplied bareshaft or with IE3 motors for energy saving
- ◆ Engineered bedplate design
- ◆ High efficiency, Low NPSHr
- ◆ Suspended solids capability up to 40 gm/m<sup>3</sup>
- ◆ Liquid temperature maximum temperature 80°C

## OPERATING RANGE

- ◆ Comprehensive range with 4 sizes with variable speed.
- ◆ Maximum flow: rates up to 1650 m<sup>3</sup>/hr
- ◆ Head: Up to 16m
- ◆ RPM: Up to 1500
- ◆ Discharge flange sizes 200mm – 400mm
- ◆ Flange ratings to BS and ANSI

## APPLICATIONS

- Food Irrigation
- Water Harvesting
- Drainage
- Waste disposal

## WORKING PRESSURE

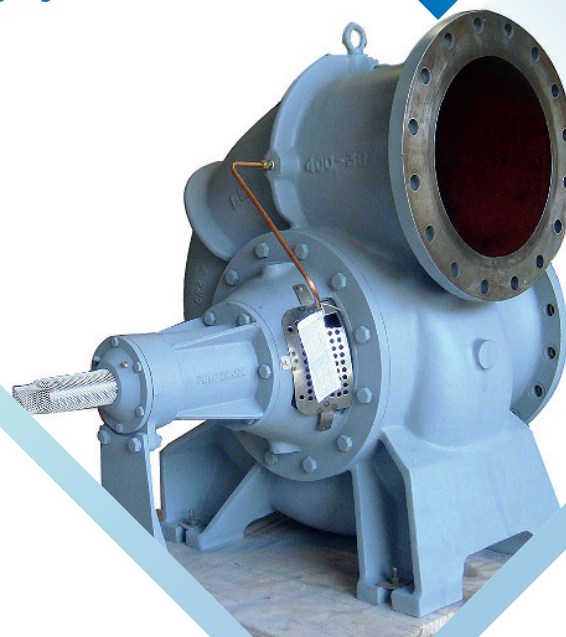
All pumps are hydrostatically tested to 1.5 times the rated working pressure.

## MECHANICAL SEAL

Virtually any make and type of single or cartridge mechanical seal and packed gland options available.

## SPARE PARTS

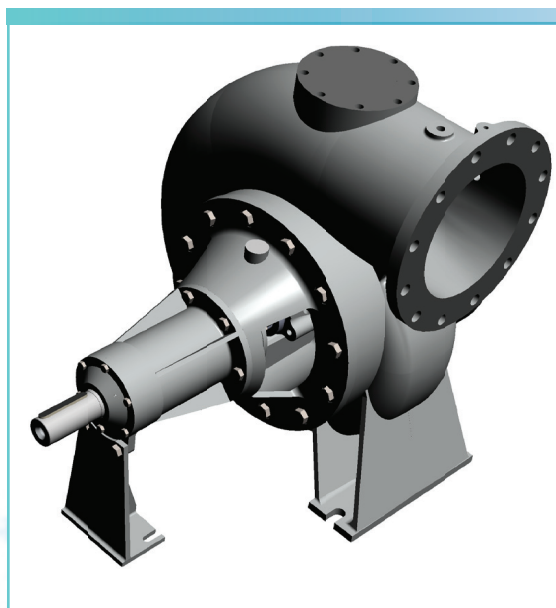
All EMF pumps are fully supported by Apex Pumps dedicated spares team.  
Contact: [spares@apexpumps.com](mailto:spares@apexpumps.com)



## MATERIALS

Cast Iron  
Ductile Iron  
Cast steel  
Stainless Steel  
Ni Resist  
Other grades available on request.

BS-1561:2011  
ISO 1083:2005  
ASTM A216 Grade WCB  
ASTM A351 CF8M  
A436 Type 1

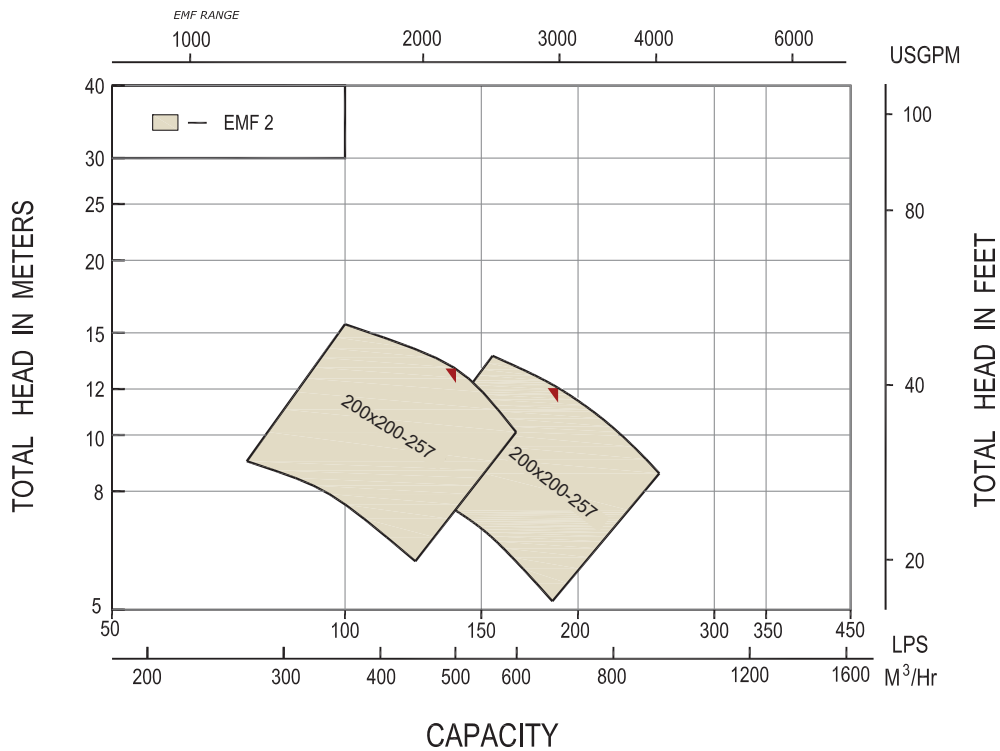


# APEX EMF Range Charts 50hz

Doc. No. : PSE/RAN/EMF/1500/R1  
Date : 06/11/2016

## RANGE CHART OF END SUCTION MIXED FLOW PUMPS-SERIES EMF

SINGLE STAGE END SUCTION PUMPS WITH SINGLE ENTRY IMPELLERS  
SPEED 1500 RPM - 50Hz , 4 POLE



## RANGE CHART OF END SUCTION MIXED FLOW PUMPS-SERIES EMF

SINGLE STAGE END SUCTION PUMPS WITH SINGLE ENTRY IMPELLERS  
SPEED 1000 RPM - 50Hz , 6POLE

Doc. No. : PSE/RAN/EMF/1000/R1  
Date : 06/11/2016

